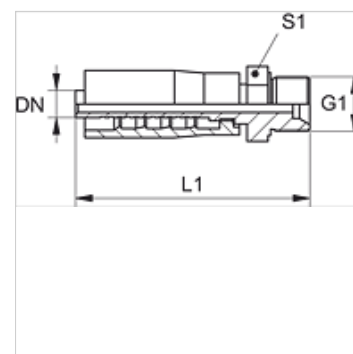


Karakteristike

| | |
|---------------------------|---------------------------------------|
| Priključak 1 | BSP vanjski navoj, cilindrični |
| Oblik brtve 1 | 60° unutarnji konus |
| Kratika | AGR |
| Norma | ISO 8434-6 BS 5200 |
| Opseg isporuke | Pritisna nazuvica + pritisni podnožak |
| Materijal | Čelik |
| Površinska zaštita | galvanski premaz |



Artikli

| Naziv | DN | Veličina | Col | G1 | L1 (mm) | S1 |
|----------------------|----|----------|------|--------|------------|----|
| PAY 506 HB | 6 | 4 | 1/4" | G 1/4" | 62,6 | 19 |
| PAY 506 HB 10 | 6 | 4 | 1/4" | G 3/8" | 65,0 | 22 |
| PAY 510 HB | 10 | 6 | 3/8" | G 3/8" | 72,0 | 22 |
| PAY 513 HB | 12 | 8 | 1/2" | G 1/2" | 82,0 | 27 |
| PAY 520 HB | 19 | 12 | 3/4" | G 3/4" | 96,2 | 32 |
| PAY 525 HB | 25 | 16 | 1" | G 1" | 104,5 | 41 |