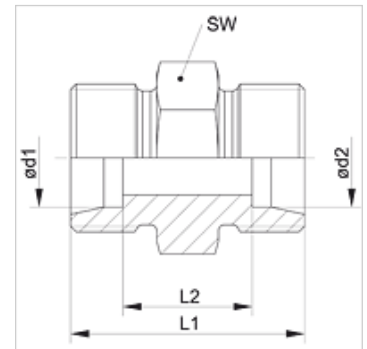


### Tulajdonságok

|                             |   |
|-----------------------------|---|
| <b>Csatlakozás 1</b>        | metrikus hengeres külső menet             |
| <b>1 tömítési forma</b>     | 24°-os belső kúp                          |
| <b>Csatlakozás 2</b>        | metrikus hengeres külső menet             |
| <b>2 tömítési forma</b>     | 24°-os belső kúp                          |
| <b>Szerkezeti mód</b>       | Csavarzat                                 |
| <b>Szerkezeti forma</b>     | egyenes                                   |
| <b>Szabvány</b>             | ISO 8434-1                                |
| <b>Szállítás terjedelme</b> | Csonk (hollandi anya és vágógyűrű nélkül) |
| <b>Anyag</b>                | Acél                                      |
| <b>Felületvédelem</b>       | Galvanikusan bevonatolt                   |



### Megjegyzés

A szerelésre, beépítésre, nyomásterhelésre és a megengedett üzemi hőmérsékletekre vonatkozó utasításokat a csőcsavarzatok műszaki információinál találja meg.

### Cikk

| Megnevezés        | Kivitel | Üzemi nyomás bar | Ø d1 (mm) | Ø d2 (mm) | L1 (mm) | L2 (mm) | SW (mm) |
|-------------------|---------|------------------|-----------|-----------|---------|---------|---------|
| XV 04 LL          | LL      | PN 100           | 4         | 4         | 20      | 12,0    | 9       |
| XV 05 LL          | LL      | PN 100           | 5         | 5         | 20      | 9,0     | 11      |
| XV 06 LL 04       | LL      | PN 100           | 6         | 4         | 20      | 10,5    | 11      |
| XV 06 LL          | LL      | PN 100           | 6         | 6         | 20      | 9,0     | 11      |
| XV 08 LL 04       | LL      | PN 100           | 8         | 4         | 22      | 12,5    | 12      |
| XV 08 LL 06       | LL      | PN 100           | 8         | 6         | 22      | 11,0    | 12      |
| XV 08 LL          | LL      | PN 100           | 8         | 8         | 23      | 12,0    | 12      |
| XV 10 LL          | LL      | PN 100           | 10        | 10        | 23      | 12,0    | 14      |
| XV 12 LL          | LL      | PN 100           | 12        | 12        | 23      | 11,0    | 17      |
| XV NW 04 HL       | L       | PN 315           | 6         | 6         | 24      | 10,0    | 12      |
| XV NW 06 HL 04    | L       | PN 315           | 8         | 6         | 25      | 11,0    | 14      |
| XV NW 06 HL       | L       | PN 315           | 8         | 8         | 25      | 11,0    | 14      |
| XV NW 08 HL 04    | L       | PN 315           | 10        | 6         | 26      | 12,0    | 17      |
| XV NW 08 HL 06    | L       | PN 315           | 10        | 8         | 26      | 12,0    | 17      |
| XV NW 08 HL       | L       | PN 315           | 10        | 10        | 27      | 13,0    | 17      |
| XV NW 10 HL 04    | L       | PN 315           | 12        | 6         | 27      | 13,0    | 19      |
| XV NW 10 HL 06    | L       | PN 315           | 12        | 8         | 27      | 13,0    | 19      |
| XV NW 10 HL 08    | L       | PN 315           | 12        | 10        | 28      | 14,0    | 19      |
| XV NW 10 HL       | L       | PN 315           | 12        | 12        | 28      | 14,0    | 19      |
| XV NW 13 HL 04    | L       | PN 315           | 15        | 6         | 28      | 14,0    | 24      |
| XV NW 13 HL 06    | L       | PN 315           | 15        | 8         | 28      | 14,0    | 24      |
| XV NW 13 HL 08    | L       | PN 315           | 15        | 10        | 29      | 15,0    | 24      |
| XV NW 13 HL 10    | L       | PN 315           | 15        | 12        | 29      | 15,0    | 24      |
| XV NW 13 HL       | L       | PN 315           | 15        | 15        | 30      | 16,0    | 24      |
| XV NW 16 HL 04    | L       | PN 315           | 18        | 6         | 29      | 14,5    | 27      |
| XV NW 16 HL 06    | L       | PN 315           | 18        | 8         | 29      | 14,5    | 27      |
| XV NW 16 HL 08    | L       | PN 315           | 18        | 10        | 30      | 15,5    | 27      |
| XV NW 16 HL 10    | L       | PN 315           | 18        | 12        | 30      | 15,5    | 27      |
| XV NW 16 HL 10 27 | L       | PN 315           | 18        | 12        | 32      | 17,5    | 27      |
| XV NW 16 HL 13    | L       | PN 315           | 18        | 15        | 31      | 16,5    | 27      |
| XV NW 16 HL       | L       | PN 315           | 18        | 18        | 31      | 16,0    | 27      |
| XV NW 16 HL 27    | L       | PN 315           | 18        | 18        | 35      | 20,0    | 27      |
| XV NW 20 HL 06    | L       | PN 160           | 22        | 8         | 31      | 16,5    | 32      |
| XV NW 20 HL 08    | L       | PN 160           | 22        | 10        | 32      | 17,5    | 32      |
| XV NW 20 HL 10    | L       | PN 160           | 22        | 12        | 32      | 17,5    | 32      |
| XV NW 20 HL 13    | L       | PN 160           | 22        | 15        | 33      | 18,5    | 32      |
| XV NW 20 HL 16    | L       | PN 160           | 22        | 18        | 33      | 18,0    | 32      |
| XV NW 20 HL 16 27 | L       | PN 160           | 22        | 18        | 35      | 20,0    | 32      |
| XV NW 20 HL       | L       | PN 160           | 22        | 22        | 35      | 20,0    | 32      |
| XV NW 25 HL 06    | L       | PN 160           | 28        | 8         | 33      | 18,5    | 41      |
| XV NW 25 HL 08    | L       | PN 160           | 28        | 10        | 34      | 19,5    | 41      |
| XV NW 25 HL 10    | L       | PN 160           | 28        | 12        | 34      | 19,5    | 41      |



| Cikk              | Megnevezés | Kivitel | Üzemi nyomás bar | Ø d1 (mm) | Ø d2 (mm) | L1 (mm) | L2 (mm) | SW (mm) |
|-------------------|------------|---------|------------------|-----------|-----------|---------|---------|---------|
| XV NW 25 HL 13    | L          | PN 160  |                  | 28        | 15        | 35      | 20,5    | 41      |
| XV NW 25 HL 16    | L          | PN 160  |                  | 28        | 18        | 35      | 20,0    | 41      |
| XV NW 25 HL 16 27 | L          | PN 160  |                  | 28        | 18        | 37      | 22,0    | 41      |
| XV NW 25 HL 20    | L          | PN 160  |                  | 28        | 22        | 37      | 22,0    | 41      |
| XV NW 25 HL       | L          | PN 160  |                  | 28        | 28        | 36      | 21,0    | 41      |
| XV NW 32 HL 20    | L          | PN 160  |                  | 35        | 22        | 39      | 21,0    | 46      |
| XV NW 32 HL 25    | L          | PN 160  |                  | 35        | 28        | 39      | 21,0    | 46      |
| XV NW 32 HL       | L          | PN 160  |                  | 35        | 35        | 41      | 20,0    | 46      |
| XV NW 40 HL 25    | L          | PN 160  |                  | 42        | 28        | 41      | 22,5    | 55      |
| XV NW 40 HL 32    | L          | PN 160  |                  | 42        | 35        | 43      | 21,5    | 55      |
| XV NW 40 HL       | L          | PN 160  |                  | 42        | 42        | 66      | 21,0    | 55      |
| XV NW 16 HL 13 HS | L / S      | PN 315  |                  | 18        | 16        | 33      | 17,0    | 27      |
| XV NW 03 HS       | S          | PN 630  |                  | 6         | 6         | 30      | 16,0    | 14      |
| XV NW 04 HS 03    | S          | PN 630  |                  | 8         | 6         | 32      | 18,0    | 17      |
| XV NW 04 HS       | S          | PN 630  |                  | 8         | 8         | 32      | 18,0    | 17      |
| XV NW 06 HS 03    | S          | PN 630  |                  | 10        | 6         | 32      | 17,5    | 19      |
| XV NW 06 HS 04    | S          | PN 630  |                  | 10        | 8         | 32      | 17,5    | 19      |
| XV NW 06 HS       | S          | PN 630  |                  | 10        | 10        | 32      | 17,0    | 19      |
| XV NW 08 HS 03    | S          | PN 630  |                  | 12        | 6         | 34      | 19,5    | 22      |
| XV NW 08 HS 04    | S          | PN 630  |                  | 12        | 8         | 34      | 19,5    | 22      |
| XV NW 08 HS 06    | S          | PN 630  |                  | 12        | 10        | 34      | 19,0    | 22      |
| XV NW 08 HS       | S          | PN 630  |                  | 12        | 12        | 34      | 19,0    | 22      |
| XV NW 10 HS 03    | S          | PN 630  |                  | 14        | 6         | 36      | 21,0    | 24      |
| XV NW 10 HS 04    | S          | PN 630  |                  | 14        | 8         | 36      | 21,0    | 24      |
| XV NW 10 HS 06    | S          | PN 630  |                  | 14        | 10        | 36      | 20,5    | 24      |
| XV NW 10 HS 08    | S          | PN 630  |                  | 14        | 12        | 36      | 20,5    | 24      |
| XV NW 10 HS       | S          | PN 630  |                  | 14        | 14        | 38      | 22,0    | 24      |
| XV NW 13 HS 03    | S          | PN 400  |                  | 16        | 6         | 36      | 20,5    | 27      |
| XV NW 13 HS 04    | S          | PN 400  |                  | 16        | 8         | 36      | 20,5    | 27      |
| XV NW 13 HS 06    | S          | PN 400  |                  | 16        | 10        | 36      | 20,0    | 27      |
| XV NW 13 HS 08    | S          | PN 400  |                  | 16        | 12        | 36      | 20,0    | 27      |
| XV NW 13 HS 10    | S          | PN 400  |                  | 16        | 14        | 38      | 21,5    | 27      |
| XV NW 13 HS       | S          | PN 400  |                  | 16        | 16        | 38      | 21,0    | 27      |
| XV NW 16 HS 06    | S          | PN 400  |                  | 20        | 10        | 40      | 22,0    | 32      |
| XV NW 16 HS 08    | S          | PN 400  |                  | 20        | 12        | 40      | 22,0    | 32      |
| XV NW 16 HS 10    | S          | PN 400  |                  | 20        | 14        | 42      | 23,5    | 32      |
| XV NW 16 HS 13    | S          | PN 400  |                  | 20        | 16        | 42      | 23,0    | 32      |
| XV NW 16 HS       | S          | PN 400  |                  | 20        | 20        | 44      | 23,0    | 32      |
| XV NW 20 HS 13    | S          | PN 400  |                  | 25        | 16        | 46      | 25,5    | 41      |
| XV NW 20 HS 16    | S          | PN 400  |                  | 25        | 20        | 48      | 25,5    | 41      |
| XV NW 20 HS       | S          | PN 400  |                  | 25        | 25        | 50      | 26,0    | 41      |
| XV NW 25 HS 13    | S          | PN 400  |                  | 30        | 16        | 48      | 26,0    | 46      |
| XV NW 25 HS 16    | S          | PN 400  |                  | 30        | 20        | 50      | 26,0    | 46      |
| XV NW 25 HS 20    | S          | PN 400  |                  | 30        | 25        | 52      | 26,5    | 46      |
| XV NW 25 HS       | S          | PN 400  |                  | 30        | 30        | 54      | 27,0    | 46      |
| XV NW 32 HS 13    | S          | PN 315  |                  | 38        | 16        | 53      | 28,5    | 55      |
| XV NW 32 HS 20    | S          | PN 315  |                  | 38        | 25        | 57      | 29,0    | 55      |
| XV NW 32 HS 25    | S          | PN 315  |                  | 38        | 30        | 59      | 29,5    | 55      |
| XV NW 32 HS       | S          | PN 315  |                  | 38        | 38        | 61      | 29,0    | 55      |
| XV NW 13 HS 13 HL | S / L      | PN 400  |                  | 16        | 15        | 36      | 20,5    | 27      |
| XV NW 16 HS 13 HL | S / L      | PN 400  |                  | 20        | 15        | 40      | 22,5    | 32      |
| XV NW 16 HS 16 HL | S / L      | PN 400  |                  | 20        | 18        | 40      | 22,0    | 32      |
| XV NW 20 HS 20 HL | S / L      | PN 400  |                  | 25        | 22        | 46      | 26,5    | 41      |

Kivitel: LL = igen könnyű L = könnyű S = nehéz – PN = névleges nyomás PB = max. üzemi nyomás – Ø d1 = cső külső átmérője – Ø d2 = cső külső átmérője

### Termékváltozatok

|                    |                      |
|--------------------|----------------------|
| XV VA              | Csavarzat, Nemesacél |
| V-LL / V-HL / V-HS | Csavarzat, Acél      |