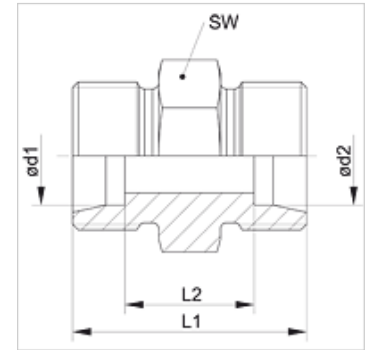


### Tulajdonságok

|                             |   |
|-----------------------------|---|
| <b>Csatlakozás 1</b>        | metrikus hengeres külső menet             |
| <b>1 tömítési forma</b>     | 24°-os belső kúp                          |
| <b>Csatlakozás 2</b>        | metrikus hengeres külső menet             |
| <b>2 tömítési forma</b>     | 24°-os belső kúp                          |
| <b>Szerkezeti mód</b>       | Csavarzat                                 |
| <b>Szerkezeti forma</b>     | egyenes                                   |
| <b>Szabvány</b>             | ISO 8434-1                                |
| <b>Szállítás terjedelme</b> | Csonk (hollandi anya és vágógyűrű nélkül) |
| <b>Anyag</b>                | Nemesacél                                 |



### Megjegyzés

A szerelésre, beépítésre, nyomásterhelésre és a megengedett üzemi hőmérsékletekre vonatkozó utasításokat a csőcsavarzatok műszaki információinál találja meg.

### Cikk

| Megnevezés        | Kivitel | Üzemi nyomás bar | Ø d1<br>(mm) | Ø d2<br>(mm) | L1<br>(mm) | L2<br>(mm) | SW<br>(mm) |
|-------------------|---------|------------------|--------------|--------------|------------|------------|------------|
| XV 04 LL VA       | LL      | PN 100           | 4            | 4            | 20,0       | 12,0       | 9          |
| XV 06 LL 04 VA    | LL      | PN 100           | 6            | 4            | 20,0       | 10,5       | 11         |
| XV 06 LL VA       | LL      | PN 100           | 6            | 6            | 20,0       | 9,0        | 11         |
| XV 08 LL 04 VA    | LL      | PN 100           | 8            | 4            | 22,0       | 12,5       | 12         |
| XV 08 LL 06 VA    | LL      | PN 100           | 8            | 6            | 22,0       | 11,0       | 12         |
| XV 08 LL VA       | LL      | PN 100           | 8            | 8            | 23,0       | 12,0       | 12         |
| XV NW 04 HL VA    | L       | PN 315           | 6            | 6            | 24,0       | 10,0       | 12         |
| XV NW 06 HL 04 VA | L       | PN 315           | 8            | 6            | 25,0       | 11,0       | 14         |
| XV NW 06 HL VA    | L       | PN 315           | 8            | 8            | 25,0       | 11,0       | 14         |
| XV NW 08 HL 04 VA | L       | PN 315           | 10           | 6            | 26,0       | 12,0       | 17         |
| XV NW 08 HL 06 VA | L       | PN 315           | 10           | 8            | 26,0       | 12,0       | 17         |
| XV NW 08 HL VA    | L       | PN 315           | 10           | 10           | 27,0       | 13,0       | 17         |
| XV NW 10 HL 04 VA | L       | PN 315           | 12           | 6            | 27,0       | 13,0       | 19         |
| XV NW 10 HL 06 VA | L       | PN 315           | 12           | 8            | 27,0       | 13,0       | 19         |
| XV NW 10 HL 08 VA | L       | PN 315           | 12           | 10           | 28,0       | 14,0       | 19         |
| XV NW 10 HL VA    | L       | PN 315           | 12           | 12           | 28,0       | 14,0       | 19         |
| XV NW 13 HL 04 VA | L       | PN 315           | 15           | 6            | 28,0       | 14,0       | 24         |
| XV NW 13 HL 06 VA | L       | PN 315           | 15           | 8            | 28,0       | 14,0       | 24         |
| XV NW 13 HL 08 VA | L       | PN 315           | 15           | 10           | 29,0       | 15,0       | 24         |
| XV NW 13 HL 10 VA | L       | PN 315           | 15           | 12           | 29,0       | 15,0       | 24         |
| XV NW 13 HL VA    | L       | PN 315           | 15           | 15           | 30,0       | 16,0       | 24         |
| XV NW 16 HL 06 VA | L       | PN 315           | 18           | 8            | 29,0       | 14,5       | 27         |
| XV NW 16 HL 08 VA | L       | PN 315           | 18           | 10           | 30,0       | 15,5       | 27         |
| XV NW 16 HL 10 VA | L       | PN 315           | 18           | 12           | 30,0       | 15,5       | 27         |
| XV NW 16 HL 13 VA | L       | PN 315           | 18           | 15           | 31,0       | 16,5       | 27         |
| XV NW 16 HL VA    | L       | PN 315           | 18           | 18           | 31,0       | 16,0       | 27         |
| XV NW 20 HL 08 VA | L       | PN 160           | 22           | 10           | 32,0       | 17,5       | 32         |
| XV NW 20 HL 10 VA | L       | PN 160           | 22           | 12           | 32,0       | 17,5       | 32         |
| XV NW 20 HL 13 VA | L       | PN 160           | 22           | 15           | 33,0       | 18,5       | 32         |
| XV NW 20 HL 16 VA | L       | PN 160           | 22           | 18           | 33,0       | 18,0       | 32         |
| XV NW 20 HL VA    | L       | PN 160           | 22           | 22           | 35,0       | 20,0       | 32         |
| XV NW 25 HL 08 VA | L       | PN 160           | 28           | 10           | 34,0       | 19,5       | 41         |
| XV NW 25 HL 10 VA | L       | PN 160           | 28           | 12           | 34,0       | 19,5       | 41         |
| XV NW 25 HL 13 VA | L       | PN 160           | 28           | 15           | 35,0       | 20,5       | 41         |
| XV NW 25 HL 16 VA | L       | PN 160           | 28           | 18           | 35,0       | 20,0       | 41         |
| XV NW 25 HL 20 VA | L       | PN 160           | 28           | 22           | 37,0       | 22,0       | 41         |
| XV NW 25 HL VA    | L       | PN 160           | 28           | 28           | 36,0       | 21,0       | 41         |
| XV NW 32 HL 13 VA | L       | PN 160           | 35           | 15           | 37,0       | 19,5       | 46         |
| XV NW 32 HL 16 VA | L       | PN 160           | 35           | 18           | 37,0       | 19,0       | 46         |
| XV NW 32 HL 20 VA | L       | PN 160           | 35           | 22           | 39,0       | 21,0       | 46         |
| XV NW 32 HL 25 VA | L       | PN 160           | 35           | 28           | 39,0       | 21,0       | 46         |
| XV NW 32 HL VA    | L       | PN 160           | 35           | 35           | 41,0       | 20,0       | 46         |
| XV NW 40 HL 13 VA | L       | PN 160           | 42           | 15           | 39,0       | 21,0       | 55         |



| Cikk | Megnevezés        | Kivitel | Üzemi nyomás bar | Ø d1 (mm) | Ø d2 (mm) | L1 (mm) | L2 (mm) | SW (mm) |
|------|-------------------|---------|------------------|-----------|-----------|---------|---------|---------|
|      | XV NW 40 HL 16 VA | L       | PN 160           | 42        | 18        | 39,0    | 21,5    | 55      |
|      | XV NW 40 HL 20 VA | L       | PN 160           | 42        | 22        | 39,5    | 21,0    | 55      |
|      | XV NW 40 HL 25 VA | L       | PN 160           | 42        | 28        | 41,0    | 22,5    | 55      |
|      | XV NW 40 HL 32 VA | L       | PN 160           | 42        | 35        | 43,0    | 21,5    | 55      |
|      | XV NW 40 HL VA    | L       | PN 160           | 42        | 42        | 66,0    | 21,0    | 55      |
|      | XV NW 03 HS VA    | S       | PN 630           | 6         | 6         | 30,0    | 16,0    | 14      |
|      | XV NW 04 HS 03 VA | S       | PN 630           | 8         | 6         | 32,0    | 18,0    | 17      |
|      | XV NW 04 HS VA    | S       | PN 630           | 8         | 8         | 32,0    | 18,0    | 17      |
|      | XV NW 06 HS 03 VA | S       | PN 630           | 10        | 6         | 32,0    | 17,5    | 19      |
|      | XV NW 06 HS 04 VA | S       | PN 630           | 10        | 8         | 32,0    | 17,5    | 19      |
|      | XV NW 06 HS VA    | S       | PN 630           | 10        | 10        | 32,0    | 17,0    | 19      |
|      | XV NW 08 HS 03 VA | S       | PN 630           | 12        | 6         | 34,0    | 19,5    | 22      |
|      | XV NW 08 HS 04 VA | S       | PN 630           | 12        | 8         | 34,0    | 19,5    | 22      |
|      | XV NW 08 HS 06 VA | S       | PN 630           | 12        | 10        | 34,0    | 19,0    | 22      |
|      | XV NW 08 HS VA    | S       | PN 630           | 12        | 12        | 34,0    | 19,0    | 22      |
|      | XV NW 10 HS 03 VA | S       | PN 630           | 14        | 6         | 36,0    | 21,0    | 24      |
|      | XV NW 10 HS 04 VA | S       | PN 630           | 14        | 8         | 36,0    | 21,0    | 24      |
|      | XV NW 10 HS 06 VA | S       | PN 630           | 14        | 10        | 36,0    | 20,5    | 24      |
|      | XV NW 10 HS 08 VA | S       | PN 630           | 14        | 12        | 36,0    | 20,5    | 24      |
|      | XV NW 10 HS VA    | S       | PN 630           | 14        | 14        | 38,0    | 22,0    | 24      |
|      | XV NW 13 HS 03 VA | S       | PN 400           | 16        | 6         | 36,0    | 20,5    | 27      |
|      | XV NW 13 HS 04 VA | S       | PN 400           | 16        | 8         | 36,0    | 20,5    | 27      |
|      | XV NW 13 HS 06 VA | S       | PN 400           | 16        | 10        | 36,0    | 20,0    | 27      |
|      | XV NW 13 HS 08 VA | S       | PN 400           | 16        | 12        | 36,0    | 20,0    | 27      |
|      | XV NW 13 HS 10 VA | S       | PN 400           | 16        | 14        | 38,0    | 21,5    | 27      |
|      | XV NW 13 HS VA    | S       | PN 400           | 16        | 16        | 38,0    | 21,0    | 27      |
|      | XV NW 16 HS 03 VA | S       | PN 400           | 20        | 6         | 40,0    | 22,5    | 32      |
|      | XV NW 16 HS 04 VA | S       | PN 400           | 20        | 8         | 40,0    | 22,5    | 32      |
|      | XV NW 16 HS 06 VA | S       | PN 400           | 20        | 10        | 40,0    | 22,0    | 32      |
|      | XV NW 16 HS 08 VA | S       | PN 400           | 20        | 12        | 40,0    | 22,0    | 32      |
|      | XV NW 16 HS 10 VA | S       | PN 400           | 20        | 14        | 42,0    | 23,5    | 32      |
|      | XV NW 16 HS 13 VA | S       | PN 400           | 20        | 16        | 42,0    | 23,0    | 32      |
|      | XV NW 16 HS VA    | S       | PN 400           | 20        | 20        | 44,0    | 23,0    | 32      |
|      | XV NW 20 HS 04 VA | S       | PN 400           | 25        | 8         | 44,0    | 25,0    | 41      |
|      | XV NW 20 HS 06 VA | S       | PN 400           | 25        | 10        | 44,0    | 24,5    | 41      |
|      | XV NW 20 HS 08 VA | S       | PN 400           | 25        | 12        | 44,0    | 24,5    | 41      |
|      | XV NW 20 HS 10 VA | S       | PN 400           | 25        | 14        | 46,0    | 26,0    | 41      |
|      | XV NW 20 HS 13 VA | S       | PN 400           | 25        | 16        | 46,0    | 25,5    | 41      |
|      | XV NW 20 HS 16 VA | S       | PN 400           | 25        | 20        | 48,0    | 25,5    | 41      |
|      | XV NW 20 HS VA    | S       | PN 400           | 25        | 25        | 50,0    | 26,0    | 41      |
|      | XV NW 25 HS 06 VA | S       | PN 400           | 30        | 10        | 46,5    | 25,5    | 46      |
|      | XV NW 25 HS 08 VA | S       | PN 400           | 30        | 12        | 46,0    | 25,0    | 46      |
|      | XV NW 25 HS 10 VA | S       | PN 400           | 30        | 14        | 48,0    | 26,5    | 46      |
|      | XV NW 25 HS 13 VA | S       | PN 400           | 30        | 16        | 48,0    | 26,0    | 46      |
|      | XV NW 25 HS 16 VA | S       | PN 400           | 30        | 20        | 50,0    | 26,0    | 46      |
|      | XV NW 25 HS 20 VA | S       | PN 400           | 30        | 25        | 52,0    | 26,5    | 46      |
|      | XV NW 25 HS VA    | S       | PN 400           | 30        | 30        | 54,0    | 27,0    | 46      |
|      | XV NW 32 HS 06 VA | S       | PN 315           | 38        | 10        | 51,5    | 28,0    | 55      |
|      | XV NW 32 HS 08 VA | S       | PN 315           | 38        | 12        | 51,0    | 27,5    | 55      |
|      | XV NW 32 HS 10 VA | S       | PN 315           | 38        | 14        | 53,0    | 29,0    | 55      |
|      | XV NW 32 HS 13 VA | S       | PN 315           | 38        | 16        | 53,0    | 28,5    | 55      |
|      | XV NW 32 HS 16 VA | S       | PN 315           | 38        | 20        | 55,0    | 28,5    | 55      |
|      | XV NW 32 HS 20 VA | S       | PN 315           | 38        | 25        | 57,0    | 29,0    | 55      |
|      | XV NW 32 HS 25 VA | S       | PN 315           | 38        | 30        | 59,0    | 29,5    | 55      |
|      | XV NW 32 HS VA    | S       | PN 315           | 38        | 38        | 61,0    | 29,0    | 55      |

Kivitel: LL = igen könnyű L = könnyű S = nehéz – PN = névleges nyomás PB = max. üzemi nyomás – Ø d1 = cső külső átmérője – Ø d2 = cső külső átmérője

## Termékváltozatok

|                             |                      |
|-----------------------------|----------------------|
| XV                          | Csavarzat, Acél      |
| V-LL VA / V-HL VA / V-HS VA | Csavarzat, Nemesacél |