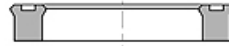
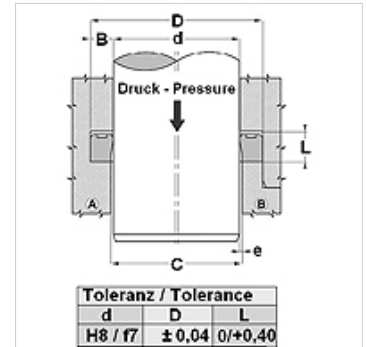


Tulajdonságok

| | |
|------------------------------|--|
| Szerkezeti mód | Dugattyúrúd horonygyűrű |
| Üzemi nyomás | 400 bar-ig |
| siklási sebesség max. | 0,5 m/s |
| Hőmérséklet min. | -30 °C |
| Hőmérséklet max. | 80 °C |
| Közegek | Ásványi olajok |
| Szerelés: | nyitott hornyokban B zárt vájatokban nyitott beépítési helyszíneken |
| Anyag | PUR |
| Alkalmazás | Hidraulika |



| Druck bar | Spaltmaß / Clearance | | | |
|--------------|----------------------|---------------------|-----------------------------|-----------------------------|
| | e (mm) | | | |
| | TS-TS...L d<60mm | TS-TS...L d>60mm | TS...-AI-TS...-LA d<60mm | TS...-AI-TS...-LA d>60mm |
| 50 | <0,40 | <0,50 | <0,60 | <0,80 |
| 100 | <0,30 | <0,40 | <0,60 | <0,80 |
| 200 | <0,20 | <0,30 | <0,40 | <0,60 |
| 300 | <0,15 | <0,20 | <0,30 | <0,40 |
| 400 | <0,10 | <0,15 | <0,20 | <0,30 |
| 500 | | | <0,10 | <0,15 |



Leírás

magas kopásállóság
Nagyon jó tömítő hatás kis nyomáson.
Gyors teherváltás.

Rendelési útmutató

20-510 mm-es átmérőjű tömítéseket rövid idő alatt elkészítjük.

Cikk

| Megnevezés | d (mm) | D (mm) | L (mm) |
|------------|-----------|-----------|-----------|
| TS 12 18 | 12 | 18,0 | 5,0 |
| TS 16 22 | 16 | 22,0 | 4,5 |
| TS 16 24-1 | 16 | 24,0 | 7,0 |
| TS 18 25 | 18 | 25,0 | 5,7 |
| TS 20 25 | 20 | 25,0 | 3,5 |
| TS 20 25-1 | 20 | 25,0 | 4,5 |
| TS 20 26 | 20 | 26,0 | 6,0 |
| TS 20 27 | 20 | 27,0 | 6,5 |
| TS 20 30 | 20 | 30,0 | 8,0 |
| TS 20 30-1 | 20 | 30,0 | 9,0 |
| TS 20 30-2 | 20 | 30,0 | 11,0 |
| TS 21 27 | 24 | 27,0 | 5,0 |
| TS 22 28 | 22 | 28,0 | 5,0 |
| TS 22 30 | 22 | 30,0 | 8,0 |
| TS 22 32-1 | 22 | 32,0 | 9,0 |
| TS 24 30 | 24 | 30,0 | 5,0 |
| TS 25 32 | 25 | 32,0 | 5,0 |
| TS 25 35 | 25 | 35,0 | 6,0 |
| TS 25 35-2 | 25 | 35,0 | 10,0 |
| TS 25 35-5 | 25 | 35,0 | 11,0 |
| TS 25 36 | 25 | 36,0 | 6,0 |
| TS 30 38 | 30 | 38,0 | 9,0 |
| TS 30 40-1 | 30 | 40,0 | 8,0 |
| TS 32 40 | 32 | 40,0 | 9,0 |
| TS 32 42-1 | 32 | 42,0 | 9,0 |
| TS 32 42-2 | 32 | 42,0 | 11,0 |
| TS 35 43-1 | 35 | 43,0 | 9,0 |
| TS 35 45 | 35 | 45,0 | 8,0 |
| TS 36 44 | 36 | 44,0 | 9,0 |
| TS 38 45 | 38 | 45,0 | 7,0 |
| TS 40 50 | 40 | 50,0 | 7,0 |
| TS 42 53 | 42 | 53,0 | 10,0 |
| TS 45 53-1 | 45 | 53,0 | 7,0 |
| TS 45 53 | 45 | 53,0 | 9,0 |
| TS 46 54 | 46 | 54,0 | 9,0 |
| TS 50 62 | 50 | 62,0 | 11,0 |
| TS 56 66-1 | 56 | 66,0 | 7,5 |
| TS 56 66 | 56 | 66,0 | 11,0 |



Cikk

| Megnevezés | d (mm) | D (mm) | L (mm) |
|------------|-----------|-----------|-----------|
| TS 60 70-3 | 60 | 70,0 | 13,0 |
| TS 61 69 | 61 | 69,0 | 9,0 |
| TS 63 71 | 63 | 70,0 | 9,0 |
| TS 66 80 | 66 | 80,0 | 11,0 |
| TS 68 76 | 68 | 76,0 | 9,0 |
| TS 70 80 | 70 | 80,0 | 8,0 |
| TS 70 80-2 | 70 | 80,0 | 13,0 |
| TS 72 78 | 72 | 78,0 | 7,0 |
| TS 76 84 | 76 | 84,0 | 9,0 |
| TS 85 97 | 85 | 97,0 | 9,5 |
| TS 88 96 | 88 | 96,0 | 9,0 |
| TS 90 96 | 90 | 96,0 | 5,5 |
| TS 90 100 | 90 | 100,0 | 7,5 |
| TS 91 99 | 91 | 99,0 | 9,0 |
| TS 107 115 | 107 | 115,0 | 9,0 |
| TS 126 134 | 126 | 134,0 | 9,0 |
| TS 145 153 | 145 | 153,0 | 9,0 |
| TS 147 155 | 147 | 155,0 | 11,0 |
| TS 175 183 | 175 | 183,5 | 9,0 |
| TS 221 229 | 221 | 229,5 | 13,0 |