

K-HAND-SCHIEBEVENTIL

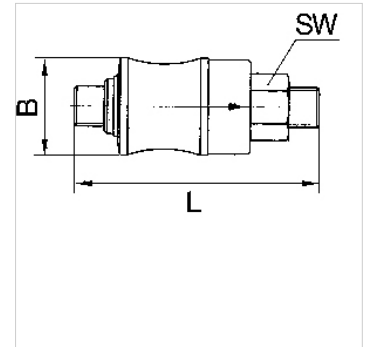
Manual slide valves

HANSA FLEX

Tulajdonságok

Üzemi nyomás max. 10 bar

Üzemi hőmérséklet max. +70 °C



Megjegyzés

További adatokért vegye fel a kapcsolatot.

Leírás

For use on devices that have to be vented whenever they are turned off, either because of safety regulations or for technical reasons. The pneumatic devices are disconnected from the system and simultaneously vented each time they are shut off.

Cikk

Megnevezés	Menet	B (mm)	L (mm)	SW (mm)
K- 07 30 15 92	G 1/8	21,0	67,0	14
K- 07 30 15 93	G 1/4	24,0	77,0	17
K- 07 30 15 94	G 3/8	31,0	87,0	22
K- 07 30 15 95	G 1/2	35,0	104,0	26