

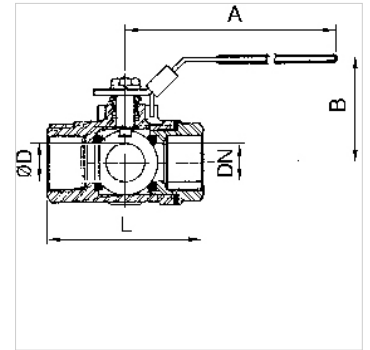
# K-3 BKR T VA

3-way ball valves, T-bore

**HANSA FLEX**

## Tulajdonságok

Üzemi nyomás	max. 63 bar
Üzemi hőmérséklet	max. 160 °C
Furat	T-idom
Írányértékek	Up to 40 °C: 63 bar, 150 °C: 28 bar
Tömítés	RTFE
Kézi emelő	Stainless steel
Golyóscsap	Stainless steel 1.4408



## Megjegyzés

G thread acc. to DIN EN ISO 228-1, with ISO flange plate (acc. to ISO 5211)  
További adatokért vegye fel a kapcsolatot.

## Leírás

With T-bore, reduced bore. Version for sealing on all sides with integrated ISO flange plate (ISO 5211). The lever can be turned 360° to allow several switching variants.

## Rendelési útmutató

For use on devices that have to be vented whenever they are turned off, either because of safety regulations or for technical reasons. The pneumatic devices are disconnected from the system and simultaneously vented each time they are shut off.

## Cikk

Megnevezés	DN	Menet	A (mm)	B (mm)	L (mm)	Ø D (mm)
K- 07 30 15 10	15	G 1/2	114,0	73,0	80,0	12,5
K- 07 30 15 11	20	G 3/4	133,0	78,0	87,0	16,0
K- 07 30 15 12	25	G 1	133,0	83,0	100,0	20,0
K- 07 30 15 13	32	G 1 1/4	187,0	92,0	123,0	25,0
K- 07 30 15 14	40	G 1 1/2	187,0	98,0	142,0	31,8
K- 07 30 15 15	50	G 2	187,0	126,0	170,0	38,1