

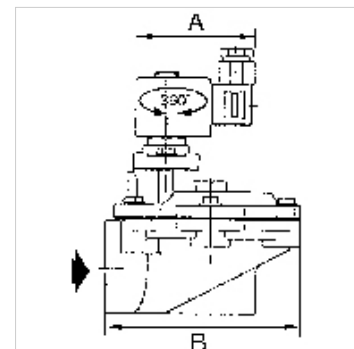
# K-MV G 24 V DC IV

Normally closed, 24 V DC (direct current), internal pilot control

**HANSA FLEX**

## Tulajdonságok

Elektromos csatlakozás	ISO 4400 (Pg 11P connector socket)
Védettség	IP65 (with connector socket fitted)
Közeghőmérséklet	max. +90 °C
Üzemi nyomás	min. 0,35 bar; max. 8,5 bar
Légtelenítő csatlakozás 2-es kialakításnál	G 3/8 (K-07302231 und K-07302304), G 3/4 (K-07302232 und K-07302305), nK-07302233 und K-07302306), Silencers can be retrofitted
ház	Aluminium
Belső alkatrészek	Stainless steel
Membrán	Type 1 TPE (Hydrel); Type 2 CR (chlorophene/neoprene)
Tömítés	Perbunan (NBR)



## Megjegyzés

További adatokért vegye fel a kapcsolatot.

## Leírás

Environmental protection today demands state-of-the-art cleaning processes. Dust filter systems are an indispensable aid to pollution control. The fabric filters installed in these systems are cleaned by blowing in compressed air pulses in quick succession counter to the main direction of flow. The solenoid valves used for this purpose are characterised by the following application-specific design features:  
- Angle type of construction to optimise the air flow  
- Full cross-section at the valve seat  
- Extremely fast opening and closing  
- Quiet operation thanks to built-in silencers (can be retrofitted in sizes 1 1/2- to 2 1/2)  
- Easy maintenance and repair because diaphragm and wearing parts are instantly available  
The valves are not suitable as shut-off devices for standard applications.

## Cikk

Megnevezés	Menet	NW	A (mm)	B (mm)	Szerkezeti forma
K- 07 30 23 02	G 3/4	25,0	75,0	89,0	1
K- 07 30 23 03	G 1	25,0	75,0	89,0	1
K- 07 30 23 04	G 1 1/2	52,0	80,0	130,0	2
K- 07 30 23 05	G 2	66,0	80,0	168,0	2
K- 07 30 23 06	G 2 1/2	66,0	80,0	168,0	2