

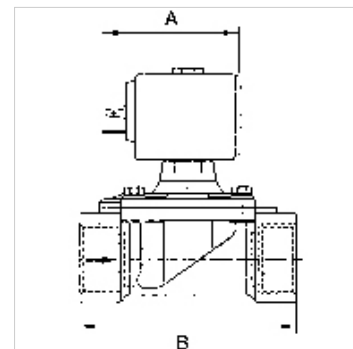
K-MV G V 230 V, 50 - 60 HZ 1

Normally closed, pilot-operated, 230 V, 50 to 60 Hz

HANSA FLEX

Tulajdonságok

| | |
|-------------------------------|---|
| Elektromos csatlakozás | For connector socket Pg 9/Pg 11, acc. to ISO 4400 |
| Védettség | IP65 (with connector socket fitted) |
| Közeghőmérséklet | -10 °C to +90 °C (NBR); -10 °C bis +140 °C (FKM) |
| Ház, szelepülék | Brass |
| Belső alkatrészek | Stainless steel |
| Tömítés | Perbunan (NBR) or FKM |



Megjegyzés

További adatokért vegye fel a kapcsolatot.

Leírás

Economy series available in three different versions: Directly operated, Combined operation, Pilot-operated. For all applications with compressed air, neutral gases or low-viscosity, neutral media.

Cikk

| Megnevezés | Menet | max. üzemi nyomás (bar) | min. üzemi nyomás (bar) | NW | Tömítő anyag | A (mm) | B (mm) | Szerkezeti forma |
|----------------|---------|-------------------------|-------------------------|------|--------------|--------|--------|------------------|
| K- 07 30 22 67 | G 3/8 | 20 | 0,10 | 12,0 | FKM | 54,0 | 50,0 | 3 |
| K- 07 30 22 68 | G 3/8 | 20 | 0,10 | 12,0 | NBR | 54,0 | 50,0 | 3 |
| K- 07 30 22 69 | G 3/8 | 16 | 0,20 | 13,0 | NBR | 54,0 | 60,0 | 4 |
| K- 07 30 22 70 | G 3/8 | 16 | 0,20 | 13,0 | FKM | 54,0 | 60,0 | 4 |
| K- 07 30 22 71 | G 3/8 | 12 | 0,20 | 13,0 | NBR | 40,0 | 60,0 | 5 |
| K- 07 30 22 72 | G 3/8 | 12 | 0,20 | 13,0 | FKM | 40,0 | 60,0 | 5 |
| K- 07 30 22 73 | G 1/2 | 20 | 0,10 | 12,0 | FKM | 54,0 | 50,0 | 3 |
| K- 07 30 22 74 | G 1/2 | 20 | 0,10 | 12,0 | NBR | 54,0 | 50,0 | 3 |
| K- 07 30 22 75 | G 1/2 | 16 | 0,20 | 13,0 | NBR | 54,0 | 66,0 | 4 |
| K- 07 30 22 76 | G 1/2 | 16 | 0,20 | 13,0 | FKM | 54,0 | 66,0 | 4 |
| K- 07 30 22 77 | G 1/2 | 12 | 0,20 | 13,0 | NBR | 40,0 | 66,0 | 5 |
| K- 07 30 22 78 | G 1/2 | 12 | 0,20 | 13,0 | FKM | 40,0 | 66,0 | 5 |
| K- 07 30 22 79 | G 3/4 | 16 | 0,20 | 19,0 | NBR | 54,0 | 104,0 | 6 |
| K- 07 30 22 80 | G 1 | 16 | 0,20 | 25,0 | NBR | 54,0 | 104,0 | 6 |
| K- 07 30 22 81 | G 1 1/4 | 10 | 0,20 | 35,0 | NBR | 54,0 | 144,0 | 6 |
| K- 07 30 22 82 | G 1 1/2 | 10 | 0,20 | 40,0 | NBR | 54,0 | 144,0 | 6 |
| K- 07 30 22 83 | G 2 | 10 | 0,20 | 50,0 | NBR | 54,0 | 172,0 | 6 |