

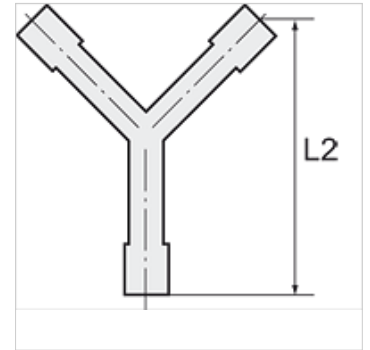
# K-Y-SCHLAUCHVERB W9 POM

Y-hose connectors, 90° angle, POM

**HANSA FLEX**

## Tulajdonságok

Hőmérséklettartomány -40 °C to +90 °C



## Megjegyzés

További adatokért vegye fel a kapcsolatot.

## Leírás

Lightweight tube connectors distinguished by high strength, toughness, resistance to abrasion and impact resistance. Resistant to: Acetone, benzene, benzene, butane, alcohols, diesel fuels, crude oil, natural gas, ethanol, fruit juices, glycerine, fuel oil, hydraulic fluids, aliphatic ketones, carbon dioxide, carbonic acid, engine oils, methanol, propane, liquefied gas, lubricating oils, lubricating greases, town gas, washing liquor and water.

## Cikk

Megnevezés	tömlő számára	L2 (mm)	max. megengedett túlnyomás (bar)
K- 07 40 17 38	LW 3 mm	21,0	10
K- 07 40 17 39	LW 4 mm	25,5	10
K- 07 40 17 40	LW 5 mm	43,0	10
K- 07 40 17 41	LW 6 mm	44,0	10
K- 07 40 17 42	LW 8 mm	51,0	10
K- 07 40 17 43	LW 10 mm	54,0	10
K- 07 40 17 44	LW 12 mm	64,0	10
K- 07 40 17 45	LW 13 mm	65,0	10
K- 07 40 17 46	LW 16 mm	67,0	10
K- 07 40 17 47	LW 19 mm	72,0	10