

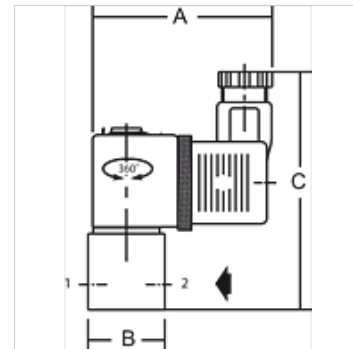
K-PROP VENTIL LU GA 24 V DC

Proportional valves for controlling the flow of air / gas, 24 VDC, closed when de-energised

HANSA FLEX

Tulajdonságok

Hőmérséklettartomány	Max. 50 °C (G 1/8), Max. 90 °C (G 1/4, G 3/8)
Közegek	Air, neutral gases, water, oil
Nyomástartomány	Vacuum (max. 8 bar)
Vezérlés	Via plug amplifier 0 to 10 V, 0 to 20 mA, 4 to 20 mA
Hibabiztos tulajdonság	Tight closure in case of loss of voltage
Ház, szeleptülék	Brass
Belső alkatrészek	Stainless steel
Szeleptányér	FKM
Tömítő anyag	FKM



Megjegyzés

További adatokért vegye fel a kapcsolatot.

Leírás

Ever increasing requirements with regard to quality, precision, productivity, convenience, user friendliness and service represent tough challenges for industrial plant and production facilities. These challenges can only be mastered if physical quantities such as temperature, pressure, force, speed, torque, etc. are optimally adapted to the operating conditions of each installation. Stepless adjustment of these parameters is vital.

Proportional valves allow the medium to be varied as a function of an electronic input variable. By linking these valves to the electronics, it is possible to improve their accuracy and broaden their range of applications. A pressure regulator, for instance, needs to be suitable for several pressure ranges without having to adjust the pressure manually. Proportional valves control the output pressure in a closed control loop proportionally to the selected setpoint signal. This output pressure, in other words, is continually compared with the specified setpoint and automatically adjusted according to actual parameter values.

További információk

We recommend combining these proportional valves with a plug amplifier, type K-07250999 or K-07251000

We recommend combining these proportional valves with a plug amplifier, type K-07250999 or K-07251000

Cikk

Megnevezés	Csatlakozás	DN	max. üzemi nyomáskülönbség (bar)	A (mm)	B	C (mm)
K- 07 25 09 91	G 1/4	2	8	85,0	40,0 mm	95,0
K- 07 25 09 92	G 1/4	3	4	85,0	40,0 mm	95,0
K- 07 25 09 93	G 3/8	6	1	85,0	48,0 mm	97,0
K- 07 25 09 94	G 3/8	7	1	85,0	48,0 mm	97,0