

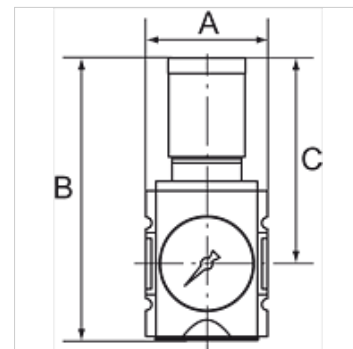
K-PRAEZI DRG MANO HANSA

Precision pressure regulators

HANSA FLEX

Tulajdonságok

| | |
|-------------------------------|---|
| Bemeneti nyomás | Max. 16 bar |
| Hőmérséklettartomány | -10 °C to +50 °C |
| Közegek | Sűrített levegő |
| Csatlakozómenet | Material: Die-cast zinc |
| ház | Material: Grivory® (PA 66) |
| Membrán | NBR |
| Saját levegőfogyasztás | 2.6 l/min at P2 = 6 bar (depending on secondary pressure) |
| Átáramlási érték mérés | At P1 = 10 bar, P2 = 6.3 bar and pressure drop $\Delta p = 1$ bar |



Megjegyzés

További adatokért vegye fel a kapcsolatot.

Leírás

Precision diaphragm pressure regulators with self-relieving design and excellent flow rates in modern design for applications requiring an extremely accurate working pressure. The regulator button can be latched and locked.

Rendelési útmutató

The price does not include a key lock. Please order separately.

Cikk

| Megnevezés | Menet | Szabályozási tartomány | Átfolyt mennyiség, tömegáram (L/min) | A (mm) | B | C (mm) | Méret |
|----------------|-------|------------------------|--------------------------------------|--------|----------|--------|-------|
| K- 07 25 09 46 | G 1/4 | 0.1 - 1 bar | 2200 | 52,0 | 128,5 mm | 95,5 | 1 |
| K- 07 25 09 47 | G 1/4 | 0.1 - 2 bar | 2200 | 52,0 | 128,5 mm | 95,5 | 1 |
| K- 07 25 09 48 | G 1/4 | 0.2 - 4 bar | 2200 | 52,0 | 128,5 mm | 95,5 | 1 |
| K- 07 25 09 49 | G 1/4 | 0.5 - 8 bar | 2200 | 52,0 | 128,5 mm | 95,5 | 1 |
| K- 07 25 09 50 | G 1/4 | 0.5 - 10 bar | 2200 | 52,0 | 128,5 mm | 95,5 | 1 |
| K- 07 25 09 51 | G 3/8 | 0.1 - 1 bar | 2700 | 52,0 | 128,5 mm | 95,5 | 1 |
| K- 07 25 09 52 | G 3/8 | 0.1 - 2 bar | 2700 | 52,0 | 128,5 mm | 95,5 | 1 |
| K- 07 25 09 53 | G 3/8 | 0.2 - 4 bar | 2700 | 52,0 | 128,5 mm | 95,5 | 1 |
| K- 07 25 09 54 | G 3/8 | 0.5 - 8 bar | 2700 | 52,0 | 128,5 mm | 95,5 | 1 |
| K- 07 25 09 55 | G 3/8 | 0.5 - 10 bar | 2700 | 52,0 | 128,5 mm | 95,5 | 1 |
| K- 07 25 09 56 | G 3/8 | 0.1 - 1 bar | 4300 | 63,0 | 149,5 mm | 110,0 | 2 |
| K- 07 25 09 57 | G 3/8 | 0.1 - 2 bar | 4300 | 63,0 | 149,5 mm | 110,0 | 2 |
| K- 07 25 09 58 | G 3/8 | 0.2 - 4 bar | 4300 | 63,0 | 149,5 mm | 110,0 | 2 |
| K- 07 25 09 59 | G 3/8 | 0.5 - 8 bar | 4300 | 63,0 | 149,5 mm | 110,0 | 2 |
| K- 07 25 09 60 | G 3/8 | 0.5 - 10 bar | 4300 | 63,0 | 149,5 mm | 110,0 | 2 |
| K- 07 25 09 61 | G 1/2 | 0.1 - 1 bar | 5000 | 63,0 | 149,5 mm | 110,0 | 2 |
| K- 07 25 09 62 | G 1/2 | 0.1 - 2 bar | 5000 | 63,0 | 149,5 mm | 110,0 | 2 |
| K- 07 25 09 63 | G 1/2 | 0.2 - 4 bar | 5000 | 63,0 | 149,5 mm | 110,0 | 2 |
| K- 07 25 09 64 | G 1/2 | 0.5 - 8 bar | 5000 | 63,0 | 149,5 mm | 110,0 | 2 |
| K- 07 25 09 65 | G 1/2 | 0.5 - 10 bar | 5000 | 63,0 | 149,5 mm | 110,0 | 2 |

Tartozék

K-STECKSCHLOSS Key lock

Pótalkatrészek

| | |
|---------------------------|--------------------|
| K-HALTERBAUSATZ HANSA | Holder HANSA |
| K-SCHALTTAFELMÜTTER HANSA | Nut HANSA |
| K-DICHTSATZ HANSA | Set of seals HANSA |