

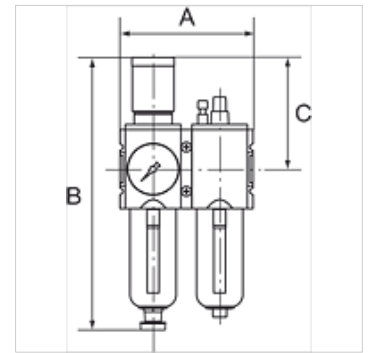
# K-WTEH 2-TLG PC SCHU MANO HANSA

Service units, 2-piece with polycarbonate bowl, bowl guard and pressure gauge

**HANSA FLEX**

## Tulajdonságok

|                               |   |
|-------------------------------|---|
| <b>Bemeneti nyomás</b>        | 1.5 - 16 bar  |
| <b>Kimeneti nyomás</b>        | 0.5 - 8 bar   |
| <b>Hőmérséklettartomány</b>   | -10 °C to +50 °C  |
| <b>Közegek</b>                | Sűrített levegő   |
| <b>Szűrő finomsága</b>        | 5,00 µm   |
| <b>Csatlakozómenet</b>        | Material: Die-cast zinc   |
| <b>Tartály</b>                | Polycarbonate (with bayonet lock)                                 |
| <b>Szűrőelem</b>              | Cellpor (PE)  |
| <b>ház</b>                    | Material: Grivory® (PA 66)  |
| <b>Membrán</b>                | NBR   |
| <b>Védőkosár</b>              | Polyamide   |
| <b>Cseppfeltét</b>            | PA  |
| <b>Saját levegőfogyasztás</b> | Max. 1.5 l/min (depending on secondary pressure)                  |
| <b>Átáramlási érték mérés</b> | At P1 = 10 bar, P2 = 6.3 bar and pressure drop $\Delta p = 1$ bar |



## Megjegyzés

További adatokért vegye fel a kapcsolatot.

## Leírás

Two or three-piece service units with excellent flow rates in modern design. Lockable diaphragm pressure regulator with secondary ventilation, oil can be filled without interrupting operation.

## Rendelési útmutató

The price does not include a key lock. Please order separately.

## Cikk

| Megnevezés     | Menet | Átfolyt mennyiség, tömegáram (L/min) | A (mm) | B        | C (mm) | Kondenzátum leeresztés |
|----------------|-------|--------------------------------------|--------|----------|--------|------------------------|
| K- 07 25 14 77 | G 1/4 | 1800                                 | 104,0  | 225,0 mm | 95,5   | Semi                   |
| K- 07 25 14 78 | G 3/8 | 1800                                 | 104,0  | 225,0 mm | 95,5   | Semi                   |
| K- 07 25 14 79 | G 3/8 | 3500                                 | 126,0  | 257,0 mm | 110,0  | Semi                   |
| K- 07 25 14 80 | G 1/2 | 3500                                 | 126,0  | 257,0 mm | 110,0  | Semi                   |
| K- 07 25 14 81 | G 3/4 | 12000                                | 170,0  | 329,0 mm | 137,0  | Semi                   |
| K- 07 25 14 82 | G 1   | 12000                                | 170,0  | 329,0 mm | 137,0  | Semi                   |
| K- 07 25 14 83 | G 1/4 | 1800                                 | 104,0  | 243,0 mm | 95,5   | Auto                   |
| K- 07 25 14 84 | G 3/8 | 1800                                 | 104,0  | 243,0 mm | 95,5   | Auto                   |
| K- 07 25 14 85 | G 3/8 | 3500                                 | 126,0  | 274,0 mm | 110,0  | Auto                   |
| K- 07 25 14 86 | G 1/2 | 3500                                 | 126,0  | 274,0 mm | 110,0  | Auto                   |
| K- 07 25 14 87 | G 3/4 | 12000                                | 170,0  | 343,0 mm | 137,0  | Auto                   |
| K- 07 25 14 88 | G 1   | 12000                                | 170,0  | 343,0 mm | 137,0  | Auto                   |

## Tartozék

K-STECKSCHLOSS Key lock

## Pótalkatrészek

|                              |                               |
|------------------------------|-------------------------------|
| K-HALTERBAUSATZ HANSA        | Holder HANSA                  |
| K-ERSATZBEHAELTER HANSA POLY | Spare tank HANSA polycarbonat |
| K-FILTERELEMENT              | Filter element                |
| K-TROPFAUFSATZ HANSA         | Drip attachment HANSA         |

# K-WTEH 2-TLG PC SCHU MANO HANSA

Service units, 2-piece with polycarbonate bowl, bowl guard and pressure gauge

**HANSA FLEX**

---