

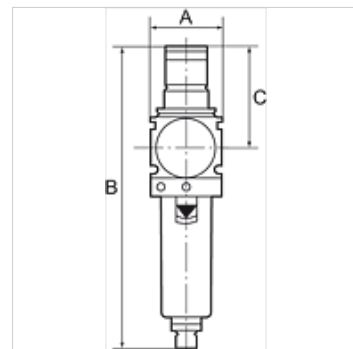
K-FI REGL METALLBEHAE S MANO VARIOB

Filter regulators with metal bowl, incl. sight glass and pressure gauge

HANSA FLEX

Tulajdonságok

Bemeneti nyomás	Max. 16 bar (polycarbonate bowl), Max. 20 bar (metal bowl)
Közeghőmérséklet	max. 50 °C
Környezeti hőmérséklet	Max. 50 °C (polycarbonate bowl), Max. 80 °C (metal bowl)
Pórusméret a szűrőelemben	40 µm
Tömítő anyag	NBR
Rugóburkolat	POM
ház	Die-cast zinc
Membrán	NBR
Drain valve	Manual
Átáramlási érték mérés	At P1 = 10 bar, P2 = 6 bar and pressure drop $\Delta p = 1$ bar



Megjegyzés

További adatokért vegye fel a kapcsolatot.

Leírás

Reversible diaphragm pressure regulators, independent of inlet pressure, with self-relieving design, combined with a centrifugal separator. The pressure setting can be locked by pushing the knob down. Approved series in modern industrial design, with the following key benefits: Simple handling, Convenient modular assembly thanks to innovative fasteners, Excellent flow values.

Rendelési útmutató

Filter regulators are also available with bowl guard or metal bowl. Filter regulators are also available in lockable version. Please ask for more information.

További információk

Filter regulators are also available with bowl guard or metal bowl. Filter regulators are also available in lockable version. Please ask for more information.

Cikk

Megnevezés	Menet	Szabályozási tartomány	Átfolyt mennyiség, tömegáram (L/min)	A (mm)	B	C (mm)
K- 07 25 06 86	G 1/4	0.5 - 10 bar	2000	48,0	203,0 mm	68,0
K- 07 25 06 88	G 3/8	0.5 - 10 bar	3000	48,0	203,0 mm	68,0
K- 07 25 06 90	G 1/2	0.5 - 10 bar	5500	70,0	273,0 mm	98,0
K- 07 25 06 92	G 3/4	0.5 - 10 bar	6500	70,0	273,0 mm	98,0
K- 07 25 06 94	G 1	0.5 - 10 bar	6500	124,0	273,0 mm	98,0

Pótalkatrészek

K-VERSCHLEI-SATZ VARIOBLOC	Set of wearing parts
K-ERSATZBEHAELTER VARIOBLOC POLY	Spare tank Polycarbonat
K-FILTERELEMENT VARIOBLOC	Filter element
K-ABLASSVENTIL AUTO	Fully-automatic drain valve with Adapter G 1/8