

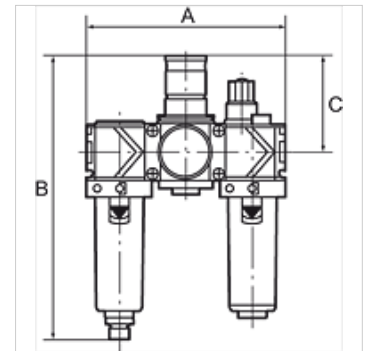
K-WTEH 3-TLG MET SICH TROPF VARIOBL

Service units, 3-piece with metal bowl, incl. sight glass and metal sight dome

HANSA FLEX

Tulajdonságok

| | |
|----------------------------------|---|
| Bemeneti nyomás | Max. 16 bar (polycarbonate bowl), Max. 20 bar (metal bowl) |
| Közeghőmérséklet | max. 50 °C |
| Környezeti hőmérséklet | Max. 50 °C (polycarbonate bowl), Max. 80 °C (metal bowl) |
| Pórusméret a szűrőelemben | 40 µm |
| Tömítő anyag | NBR |
| Rugóburkolat | POM |
| ház | Die-cast zinc |
| Membrán | NBR |
| Cseppfeltét | PA |
| Drain valve | Manual |
| Átáramlási érték mérés | At P1 = 10 bar, P2 = 6 bar and pressure drop $\Delta p = 1$ bar |



Megjegyzés

További adatokért vegye fel a kapcsolatot.

Leírás

Two or three-piece service units consisting of a reversible diaphragm pressure regulator, independent of inlet pressure, with self-relieving design, combined with a centrifugal separator and a proportional lubricator. Approved series in modern industrial design, with the following key benefits: Simple handling, Convenient modular assembly thanks to innovative fasteners, Excellent flow values.

Rendelési útmutató

Service units are also available with bowl guard or metal bowl. Service units are also available in other control ranges (0.5 - 6 bar and 0.5 - 16 bar) and in lockable version. Please ask for more information.

További információk

Service units are also available with bowl guard or metal bowl. Service units are also available in other control ranges.

Cikk

| Megnevezés | Menet | Szabályozási tartomány | Átfolyt mennyiség, tömegáram (L/min) | A (mm) | B | C (mm) |
|----------------|-------|------------------------|--------------------------------------|--------|----------|--------|
| K- 07 25 14 12 | G 1/4 | 0.5 - 10 bar | 1500 | 144,0 | 201,0 mm | 68,0 |
| K- 07 25 14 14 | G 3/8 | 0.5 - 10 bar | 1800 | 144,0 | 201,0 mm | 68,0 |
| K- 07 25 14 16 | G 1/2 | 0.5 - 10 bar | 3400 | 210,0 | 274,0 mm | 98,0 |
| K- 07 25 14 18 | G 3/4 | 0.5 - 10 bar | 5000 | 210,0 | 274,0 mm | 98,0 |
| K- 07 25 14 20 | G 1 | 0.5 - 10 bar | 5000 | 264,0 | 274,0 mm | 98,0 |

Pótalkatrészek

| | |
|----------------------------------|--|
| K-VERSCHLEI-SATZ VARIOBLOC | Set of wearing parts |
| K-FILTERELEMENT VARIOBLOC | Filter element |
| K-ERSATZBEHAELTER VARIOBLOC POLY | Spare tank Polycarbonat |
| K-TROPFAUFSATZ VARIOBLOC | Drip attachment |
| K-ABLASSVENTIL AUTO | Fully-automatic drain valve with Adapter G 1/8 |