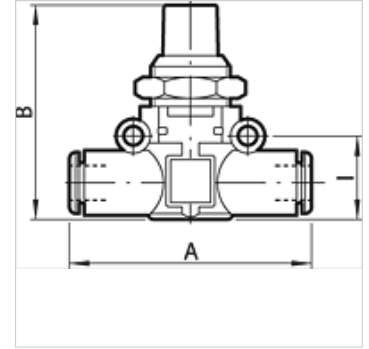
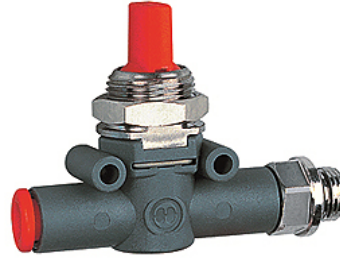


K-ABSPV SCHL GEW

Shut-off valves, pipe (input) - thread (output)

Tulajdonságok

Üzemi nyomás	max. 10 bar
Átfolyás 6,3 bar, p=1 bar	280 NI/min (Ø 6), 470 NI/min (Ø 8)
Hőmérséklettartomány	-20 °C to +60 °C
Test	Technopolymer
Belső alkatrészek	nickel-plated brass, brass, Intechnopolymer, stainless steel
Tömítő anyag	NBR
Szerelés:	Wall mounting (housing with drilled holes) Bracket mounting (mounting bracket available) Panel mounting (with bracket or lock nut)
Szimbólum	on the housing



Megjegyzés

További adatokért vegye fel a kapcsolatot.

Leírás

A carefully selected assortment of products for installation in pneumatic circuits. These small, highly efficient components allow all pneumatic functions to be implemented anywhere in the circuit. The series has an ultramodular design. All components can be installed in parallel, in series, in a mixed parallel / serial configuration. Available as Pipe / pipe connection with two plug connectors Thread / pipe connection, with one plug connector and one nickel-plated brass thread.

Cikk

Megnevezés	Menet	tömítő Ø-höz (mm)	A (mm)	B (mm)	l (mm)
K- 07 15 04 51	G 1/8	6	58,3	41,0	14,6
K- 07 15 04 52	G 1/8	8	66,4	46,0	18,7
K- 07 15 04 49	G 1/4	6	61,3	41,0	14,6
K- 07 15 04 50	G 1/4	8	70,8	46,0	18,7
K- 07 15 04 53	G 3/8	8	72,4	46,0	18,7