

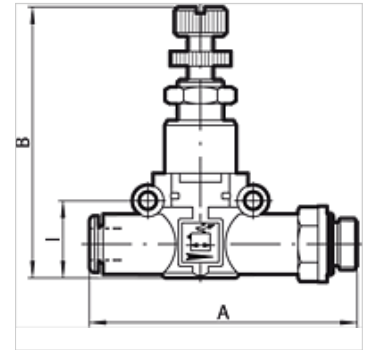
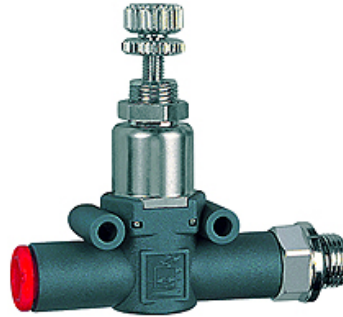
K-DRG SCHL GEW

Pressure regulators, pipe (input) - thread (output)

HANSA FLEX

Tulajdonságok

Üzemi nyomás	2 - 10 bar
Átfolyás 6,3 bar	400 NI/min (Ø 6 and G 1/8), 600 NI/min (Ø 8 and G 1/4)
Hőmérséklettartomány	-20 °C to +60 °C
Test	Technopolymer
Belső alkatrészek	nickel-plated brass, brass, technopolymer, stainless steel
Tömítő anyag	NBR
Szerelés:	Wall mounting (housing with drilled holes) Bracket mounting (mounting bracket available) Panel mounting (with bracket or lock nut)
Szimbólum	on the housing



Megjegyzés

További adatokért vegye fel a kapcsolatot.

Leírás

A carefully selected assortment of products for installation in pneumatic circuits. These small, highly efficient components allow all pneumatic functions to be implemented anywhere in the circuit. The series has an ultramodular design. All components can be installed in parallel, in series, in a mixed parallel / serial configuration. Available as Pipe / pipe connection with two plug connectors Thread / pipe connection, with one plug connector and one nickel-plated brass thread.

Cikk

Megnevezés	Menet	tömítő Ø-höz (mm)	Szabályozási tartomány	A (mm)	B (mm)	l (mm)
K- 07 25 03 19	G 1/8	6	1 - 8 bar	58,5	52,0	14,6
K- 07 25 03 20	G 1/8	8	1 - 8 bar	61,5	52,0	14,6
K- 07 25 03 17	G 1/4	6	1 - 8 bar	66,2	58,0	18,7
K- 07 25 03 18	G 1/4	8	1 - 8 bar	70,6	58,0	18,7
K- 07 25 03 21	G 3/8	8	1 - 8 bar	72,2	58,0	18,7