

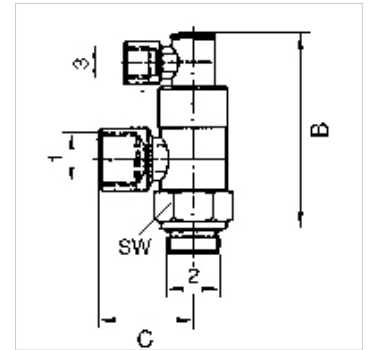
K-STOPPVENTILE IG

Stop valves, ports 2 and 3 with female thread

HANSA FLEX

Tulajdonságok

Munkanyomás	Max. 10 bar
Vezérlőnyomás	1 - 5 bar, depending on operating pressure
Közeghőmérséklet	max. 70 °C
Beépítés helyzete	Any. Ring pieces can still be rotated 360° after the valve has been tightened
Anyag	Sárgaréz, nikkelezett
Tömítő anyag	Perbunan



Megjegyzés

További adatokért vegye fel a kapcsolatot.

Leírás

For high-speed positioning and stop functions as well as emergency switching (e.g. emergency stop). If a control signal is present at port 3, air can flow to and from the cylinder. If no control signal is present, the air flow to and from the cylinder is shut off, causing the cylinder to stop in the required position. Stop valves are screwed directly onto the cylinder instead of the normal pipe connections.

Cikk

Megnevezés	Port 1	Port 2	3 csatlakozás	B (mm)	C (mm)
K- 07 15 20 46	G 1/8	G 1/8	G 1/8	52,0	21,0
K- 07 15 20 45	G 1/4	G 1/4	G 1/8	58,0	25,0
K- 07 15 20 47	G 3/8	G 3/8	G 1/8	63,0	31,0
K- 07 15 20 44	G 1/2	G 1/2	G 1/8	72,0	40,0