

# K-BKR KL SERIE 374

Ball valves, 374 series

**HANSA FLEX**

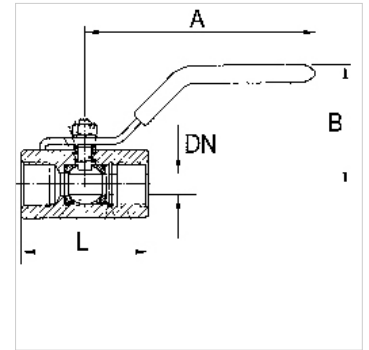
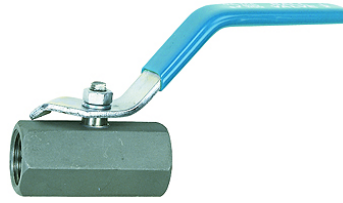
## Tulajdonságok

**Üzemi nyomás** max. 70 bar (Depending on Temperature)

**Üzemi hőmérséklet** Max. 150 °C

**Tömítés** PTFE

**Kézi emelő** Stainless steel 1.4301



## Megjegyzés

G thread acc. to DIN EN ISO 228-1, with ISO flange plate (acc. to ISO 5211)

További adatokért vegye fel a kapcsolatot.

## Rendelési útmutató

For use on devices that have to be vented whenever they are turned off, either because of safety regulations or for technical reasons. The pneumatic devices are disconnected from the system and simultaneously vented each time they are shut off.

## További információk

G thread acc. DIN EN ISO 228-1

## Cikk

Megnevezés	DN	Menet	A (mm)	B (mm)	L (mm)	Anyag
K- 07 30 15 32	5	G 1/4	62,0	30,0	47,0	Stainless steel 1.4401/1.4408
K- 07 30 15 33	7	G 3/8	82,0	30,0	51,0	Stainless steel 1.4401/1.4408
K- 07 30 15 34	9	G 1/2	92,0	45,0	64,0	Stainless steel 1.4401/1.4408
K- 07 30 15 35	13	G 3/4	94,0	50,0	68,0	Stainless steel 1.4401/1.4408