

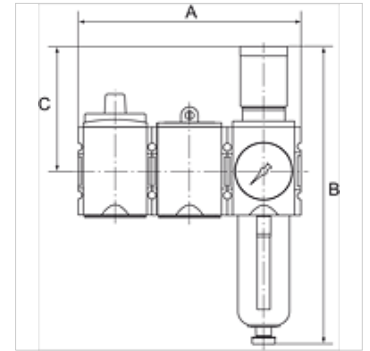
K-WTST SAFETY BK SCHA AN FILR HANSA

SAFETY service unit sets, comprising a ball valve with silencer, start-up valve and filter regulator

HANSA FLEX

Tulajdonságok

| | |
|----------------------------------|---|
| Bemeneti nyomás | 2.5 - 16 bar |
| Kimeneti nyomás | 0.5 - 8 bar |
| Hőmérséklettartomány | -10 °C to +50 °C |
| Közegek | Sűrített levegő |
| Tömítő anyag | NBR |
| Csatlakozómenet | Material: Die-cast zinc |
| Tartály | Polycarbonate (with bayonet lock) and bowl guard |
| Szűrőelem | Cellpor (PE) 5 µm |
| ház | Material: Grivory® (PA 66) |
| Membrán | NBR |
| Saját levegőfogyasztás | Max. 1.5 l/min (depending on secondary pressure) |
| Átáramlási érték mérés | At P1 = 10 bar, P2 = 6.3 bar and pressure drop $\Delta p = 1$ bar |
| Légtelenítő csatlakozó Golyócsap | Silencer |



Megjegyzés

További adatokért vegye fel a kapcsolatot.

Leírás

These compressed air service unit sets, comprising a ball valve with silencer, a start-up valve and one out of a pressure regulator, filter regulator or service unit, meet even the strictest requirements for operating reliability and accident prevention!

Rendelési útmutató

The price does not include a key lock and padlock. Please order separately. For accessories and spare parts, refer to individual components: ball valve, start-up valve, pressure regulator, filter regulator, 2-piece service unit

Cikk

| Megnevezés | Menet | Átfolyt mennyiség, tömegáram (L/min) | A (mm) | B | C (mm) | Kondenzátum leeresztés |
|----------------|-------|--------------------------------------|--------|----------|--------|------------------------|
| K- 07 25 15 26 | G 1/4 | 2000 | 156,0 | 225,0 mm | 95,5 | Semi |
| K- 07 25 15 27 | G 3/8 | 2000 | 156,0 | 225,0 mm | 95,5 | Semi |
| K- 07 25 15 28 | G 3/8 | 4300 | 189,0 | 257,0 mm | 110,0 | Semi |
| K- 07 25 15 29 | G 1/2 | 4300 | 189,0 | 257,0 mm | 110,0 | Semi |
| K- 07 25 15 30 | G 3/4 | 10000 | 255,0 | 329,0 mm | 137,0 | Semi |
| K- 07 25 15 31 | G 1 | 10000 | 255,0 | 329,0 mm | 137,0 | Semi |
| K- 07 25 15 32 | G 1/4 | 2000 | 156,0 | 243,0 mm | 95,5 | Auto |
| K- 07 25 15 33 | G 3/8 | 2000 | 156,0 | 243,0 mm | 95,5 | Auto |
| K- 07 25 15 34 | G 3/8 | 4300 | 189,0 | 274,0 mm | 110,0 | Auto |
| K- 07 25 15 35 | G 1/2 | 4300 | 189,0 | 274,0 mm | 110,0 | Auto |
| K- 07 25 15 36 | G 3/4 | 10000 | 255,0 | 343,0 mm | 137,0 | Auto |
| K- 07 25 15 37 | G 1 | 10000 | 255,0 | 343,0 mm | 137,0 | Auto |

Tartozék

| | |
|--------------------|----------|
| K-STECKSCHLOSS | Key lock |
| K-VORHAENGESCHLOSS | Padlock |