

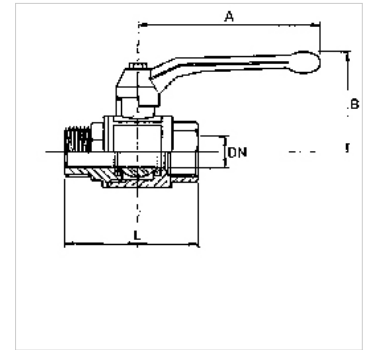
K-BKR LANG IG AG

Ball valves, long-threaded type, female/male thread

HANSA FLEX

Tulajdonságok

Alkalmazási terület	Compressed air, water, non-toxic and non-corrosive gases, heating systems, agriculture
Üzemi nyomás	Max. 40 bar
Üzemi hőmérséklet	-15 °C to +90 °C
Menet leírás	Thread acc. to ISO 7-1
ház	Nickel-plated brass
Kar	Aluminium, painted black
Golyó	Chrome-plated brass
Golyótömítés	PTFE
Orsótömítés	NBR / EPDM



Megjegyzés

G thread acc. to DIN EN ISO 228-1, with ISO flange plate (acc. to ISO 5211)
További adatokért vegye fel a kapcsolatot.

Rendelési útmutató

For use on devices that have to be vented whenever they are turned off, either because of safety regulations or for technical reasons. The pneumatic devices are disconnected from the system and simultaneously vented each time they are shut off.

További információk

The pressure values refer to a maximum operating temperature of 40 °C. Lower maximum pressure apply at higher temperatures. See data sheet.

Cikk

Megnevezés	DN	Menet	A (mm)	B (mm)	L (mm)
K- 07 30 21 37	8	Rp/R 1/4	85,0	42,0	52,0
K- 07 30 21 38	10	Rp/R 3/8	85,0	42,0	54,0
K- 07 30 21 39	15	Rp/R 1/2	85,0	46,0	67,0
K- 07 30 21 40	20	Rp/R 3/4	105,0	53,0	78,0
K- 07 30 21 41	25	Rp/R 1	105,0	57,0	89,0
K- 07 30 21 42	32	Rp/R 1 1/4	130,0	70,0	103,0
K- 07 30 21 43	40	Rp/R 1 1/2	130,0	76,0	113,0
K- 07 30 21 44	50	Rp/R 2	165,0	92,0	136,0