

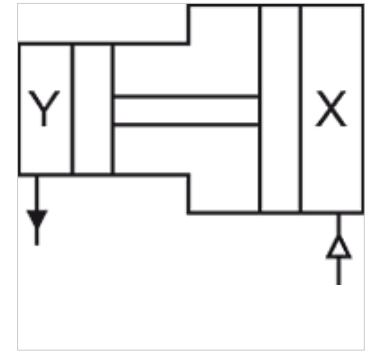
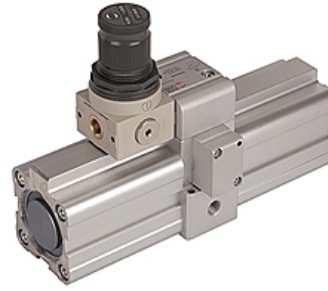
K-DVST MIT REGLER

Pressure booster with regulator

HANSA FLEX

Tulajdonságok

Bemeneti nyomás	2 - 10 bar
Kimeneti nyomás	Max. 20 bar (regulated: max. 16 bar)
Hőmérséklettartomány	-10 °C to +50 °C (40 mm bore), -10 °C to +60 °C (63 mm bore)
Közegek	Filtered, unlubricated or lubricated compressed air (if lubrication is used, it must be continuous)
Tömítő anyag	NBR
Nyomásszabályozó	With plastic body
ház	Aluminium, anodised
Cső	Anodised aluminium jacket
Szerelés:	Any position, with 4 mounting holes
P2:P1	1:1 to 1.6:1



Megjegyzés

For information about calculating the filling times for different tank sizes, refer to the above-mentioned data sheet available on our website
További adatokért vegye fel a kapcsolatot.

Leírás

Pressure multipliers (boosters) allow a separate compressed air store with up to double pressure to be installed for selected devices in a compressed air system without an external energy source, i.e. it is possible to work with a maximum pressure of 20 bar in a standard 10 bar system (maximum ratio 2:1). This is achieved using a double piston, which is operated by a combination of integrated check valves in such a way that the booster works automatically until the target pressure is reached in a compressed air tank and is then automatically switched off. A tank is always required to build up the pressure and store the compressed air!

További információk

Fixing bracket with nut

Cikk

Megnevezés	Csatlakozás	Ø Dugattyú (mm)	H (mm)	L (mm)
K- 07 25 08 65	G 1/8	40,0	139,0	194,0
K- 07 25 08 67	G 3/8	63,0	183,0	290,0

Tartozék

K-ZUBEH ERSATZ LUFT BOOSTER Accessories / spare parts for Air-air-multiplier (booster)