

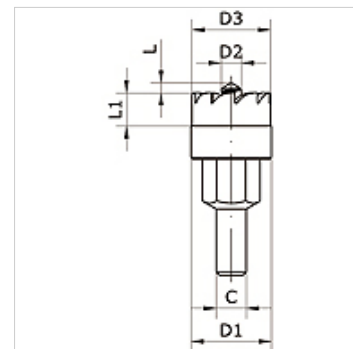
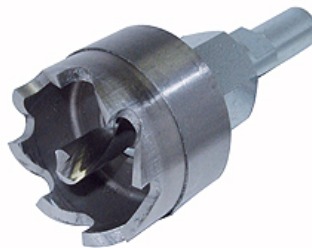
# K-KRONENBOHR SCHN-FLAN 20-63 INFI

Core drill for quick assembly  $\varnothing$  20 mm –  $\varnothing$  63 mm

**HANSA FLEX**

## Tulajdonságok

Anyag (HSS) Steel



## Cikk

| Megnevezés     | cső külső $\varnothing$ -höz | C<br>(mm) | D1<br>(mm) | D2<br>(mm) | D3<br>(mm) | L<br>(mm) | L1<br>(mm) |
|----------------|------------------------------|-----------|------------|------------|------------|-----------|------------|
| K- 07 40 54 52 | 32, 40                       | 9,0       | 24,0       | 6          | 23,5       | 3,0       | 10,0       |
| K- 07 40 54 53 | 50, 63                       | 9,0       | 31,0       | 6          | 30,5       | 3,0       | 9,0        |