

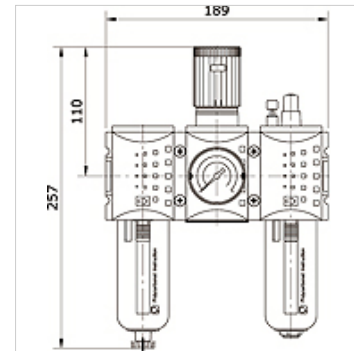
# K-WTEH 3-TEILIG HANSA PRO

3-part service unit, with manual/semi-automatic condensate drain and pressure gauge, HANSA PRO

**HANSA FLEX**

## Tulajdonságok

<b>Kimeneti nyomás</b>	Pa 0,5 - 8 bar (Standart)Pa 0,1 - 1 barPa 0,1 - 2 barPa 0,2 - 4 barPa 0,5 - 10 barPa 0,5 - 16 bar
<b>Közeghőmérséklet</b>	-10 °C to +50 °C
<b>Környezeti hőmérséklet</b>	-10 °C to +50 °C
<b>Közegek</b>	Sűrített levegő
<b>Szerkezeti mód</b>	Centrifugal filter membrane pressure regulator with relieving, fog lubricator
<b>Rögzítési mód</b>	Line mounting, panel mounting, mounting kit or wall mounting
<b>Működtetés / biztosító</b>	lockable handwheel
<b>Beépítés helyzete</b>	Vertical, drain down
<b>Szűrő finomsága</b>	5,00 µm
<b>Nyomásmérő csatlakozás</b>	G 1/4 i
<b>max. kondenzátummennyiség</b>	49 cc
<b>max. olajfeltöltési mennyiség</b>	80 cc
<b>Névleges átáramlás G 1/2</b>	3.500 l/min (P1 = 10 bar, P2 = 6,3 bar/ Delta P = 1 bar)
<b>Névleges átáramlás G 3/8</b>	3.500 l/min (P1 = 10 bar, P2 = 6,3 bar/ Delta P = 1 bar)
<b>Olajadagolás qv=1000 l/min esetén</b>	1-2 drops / min (guideline)
<b>PE max 12</b>	16 bar
<b>Szűrőelem</b>	Cellpor
<b>ház</b>	PA66
<b>Membrán, tömítések</b>	Ms/NBR/PA6
<b>Cseppfeltét</b>	Polycarbonate
<b>Olajfajta</b>	CL 32 acc. to DIN 51517 - ISO VG 32



## Cikk

Megnevezés	Csatlakozás	Szabályozási tartomány	Kijelzési tartományok	Tartály	Méret	Kondenzátum leeresztés
K- 07 25 22 12	G 3/8 i	0.1 - 1 bar	0 - 1,6 bar	polycarbonate with protective cage	2	manual / semi-automatic
K- 07 25 22 13	G 3/8 i	0.1 - 2 bar	0 - 2,5 bar	polycarbonate with protective cage	2	manual / semi-automatic
K- 07 25 22 14	G 3/8 i	0.2 - 4 bar	0 - 6 bar	polycarbonate with protective cage	2	manual / semi-automatic
K- 07 25 22 15	G 3/8 i	0.5 - 8 bar	0 - 10 bar	polycarbonate with protective cage	2	manual / semi-automatic
K- 07 25 22 16	G 3/8 i	0.5 - 10 bar	0 - 16 bar	polycarbonate with protective cage	2	manual / semi-automatic
K- 07 25 22 17	G 3/8 i	0.5 - 16 bar	0 - 25 bar	polycarbonate with protective cage	2	manual / semi-automatic
K- 07 25 22 18	G 1/2 i	0.1 - 1 bar	0 - 1,6 bar	polycarbonate with protective cage	2	manual / semi-automatic
K- 07 25 22 19	G 1/2 i	0.1 - 2 bar	0 - 2,5 bar	polycarbonate with protective cage	2	manual / semi-automatic
K- 07 25 22 20	G 1/2 i	0.2 - 4 bar	0 - 6 bar	polycarbonate with protective cage	2	manual / semi-automatic
K- 07 25 22 21	G 1/2 i	0.5 - 8 bar	0 - 10 bar	polycarbonate with protective cage	2	manual / semi-automatic
K- 07 25 22 22	G 1/2 i	0.5 - 10 bar	0 - 16 bar	polycarbonate with protective cage	2	manual / semi-automatic
K- 07 25 22 23	G 1/2 i	0.5 - 16 bar	0 - 25 bar	polycarbonate with protective cage	2	manual / semi-automatic
K- 07 25 22 24	G 3/8 i	0.1 - 1 bar	0 - 1,6 bar	zinc with visual display	2	manual / semi-automatic
K- 07 25 22 25	G 3/8 i	0.1 - 2 bar	0 - 2,5 bar	zinc with visual display	2	manual / semi-automatic
K- 07 25 22 26	G 3/8 i	0.2 - 4 bar	0 - 6 bar	zinc with visual display	2	manual / semi-automatic
K- 07 25 22 27	G 3/8 i	0.5 - 8 bar	0 - 10 bar	zinc with visual display	2	manual / semi-automatic
K- 07 25 22 28	G 3/8 i	0.5 - 10 bar	0 - 16 bar	zinc with visual display	2	manual / semi-automatic
K- 07 25 22 29	G 3/8 i	0.5 - 16 bar	0 - 25 bar	zinc with visual display	2	manual / semi-automatic
K- 07 25 22 30	G 1/2 i	0.1 - 1 bar	0 - 1,6 bar	zinc with visual display	2	manual / semi-automatic
K- 07 25 22 31	G 1/2 i	0.1 - 2 bar	0 - 2,5 bar	zinc with visual display	2	manual / semi-automatic
K- 07 25 22 32	G 1/2 i	0.2 - 4 bar	0 - 6 bar	zinc with visual display	2	manual / semi-automatic
K- 07 25 22 33	G 1/2 i	0.5 - 8 bar	0 - 10 bar	zinc with visual display	2	manual / semi-automatic
K- 07 25 22 34	G 1/2 i	0.5 - 10 bar	0 - 16 bar	zinc with visual display	2	manual / semi-automatic
K- 07 25 22 35	G 1/2 i	0.5 - 16 bar	0 - 25 bar	zinc with visual display	2	manual / semi-automatic