

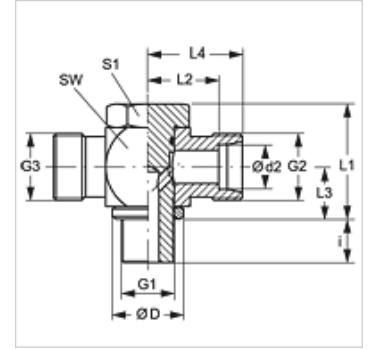
XSTOR VA

Raccordi filettati orientabili a flusso libero, forma di T

HANSA FLEX

Caratteristiche

Attacco 1	Filetto esterno BSP cilindrico
Tenuta 1	Forma E
Attacco 2 + 3	Filetto esterno metrico cilindrico
Tenuta 2 + 3	Cono interno da 24°
Tipo	Raccordo orientabile a flusso libero (alta pressione)
Forma costruttiva	Forma a T
Entità della fornitura	Tronchetto (senza dado e anello di serraggio)
Materiale	Acciaio inossidabile



Nota

Le istruzioni per montaggio, installazione, pressioni e temperature d'esercizio ammesse possono essere desunte dalle informazioni tecniche per i raccordi filettati dei tubi.

Avvertenza per l'ordinazione

Guarnizioni in NBR
FPM (Viton) su richiesta

Articolo

Denominazione	Serie	Pressione d'esercizio in bar:	Ø d2 (mm)	G1	G2 + G3	Ø D (mm)	i (mm)	L1 (mm)	L2 (mm)	L3 (mm)	L4 (mm)	SW (mm)	S1 (mm)
XSTOR 04 LL VA	LL	PN 63	4	G 1/8" -28	M 8 x 1	14,0	8	24	11,0	8,0	15,0	18	17
XSTOR 06 LL VA	LL	PN 63	6	G 1/8" -28	M 10 x 1	14,0	8	24	11,5	10,0	17,0	18	17
XSTOR 08 LL VA	LL	PN 63	8	G 1/8" -28	M 12 x 1	14,0	8	24	11,5	10,0	17,0	18	17
XSTOR NW 04 HL VA	L	PN 250	6	G 1/8" -28	M 12 x 1,5	14,0	8	24	12,0	10,5	19,0	17	17
XSTOR NW 06 HL VA	L	PN 250	8	G 1/4" -19	M 14 x 1,5	18,0	12	30	14,5	14,0	22,0	22	19
XSTOR NW 08 HL VA	L	PN 250	10	G 1/4" -19	M 16 x 1,5	18,0	12	30	15,5	14,0	22,0	22	19
XSTOR NW 10 HL 1/4 VA	L	PN 250	12	G 1/4" -19	M 18 x 1,5	18,0	12	30	15,5	14,0	22,5	22	22
XSTOR NW 10 HL VA	L	PN 250	12	G 3/8" -19	M 18 x 1,5	22,0	12	36	18,0	16,5	28,0	27	24
XSTOR NW 13 HL VA	L	PN 250	15	G 1/2" -14	M 22 x 1,5	26,0	14	45	21,5	21,5	29,0	32	30
XSTOR NW 16 HL VA	L	PN 315	18	G 1/2" -14	M 26 x 1,5	26,0	14	45	21,0	21,5	28,0	32	30
XSTOR NW 20 HL VA	L	PN 160	22	G 3/4" -14	M 30 x 2	32,0	16	53	27,5	24,0	35,0	41	36
XSTOR NW 25 HL VA	L	PN 160	28	G 1" -11	M 36 x 2	39,0	18	66	32,0	30,5	40,0	50	46
XSTOR NW 32 HL VA	L	PN 160	35	G 1.1/4" -11	M 45 x 2	49,0	20	76	36,0	35,5	47,0	60	55
XSTOR NW 40 HL VA	L	PN 160	42	G 1.1/2" -11	M 52 x 2	55,0	22	87	40,5	40,5	51,0	70	60
XSTOR NW 03 HS VA	S	PN 315	6	G 1/4" -19	M 14 x 1,5	18,0	12	30	16,5	14,0	22,0	22	19
XSTOR NW 04 HS VA	S	PN 315	8	G 1/4" -19	M 16 x 1,5	18,0	12	30	16,5	14,0	22,0	22	19
XSTOR NW 06 HS 1/4 VA	S	PN 315	10	G 1/4" -19	M 18 x 1,5	18,0	12	30	16,5	14,0	24,0	22	22
XSTOR NW 06 HS VA	S	PN 315	10	G 3/8" -19	M 18 x 1,5	22,0	12	36	18,5	16,5	26,0	27	24
XSTOR NW 08 HS VA	S	PN 315	12	G 3/8" -19	M 20 x 1,5	22,0	12	36	18,5	16,5	27,0	27	24
XSTOR NW 10 HS VA	S	PN 315	14	G 1/2" -14	M 22 x 1,5	32,0	15	45	22,5	21,5	30,0	32	27
XSTOR NW 13 HS VA	S	PN 315	16	G 1/2" -14	M 24 x 1,5	26,0	14	45	22,0	21,5	30,0	32	30
XSTOR NW 16 HS VA	S	PN 160	20	G 3/4" -14	M 30 x 2	32,0	16	53	26,5	24,0	37,0	41	36
XSTOR NW 20 HS VA	S	PN 160	25	G 1" -11	M 36 x 2	39,0	18	66	31,5	30,5	44,0	50	46
XSTOR NW 25 HS VA	S	PN 160	30	G 1.1/4" -11	M 42 x 2	49,0	20	76	37,0	35,5	51,0	60	55
XSTOR NW 32 HS VA	S	PN 160	38	G 1.1/2" -11	M 52 x 2	55,0	22	87	41,5	40,5	57,0	70	60

Serie: LL = molto leggero L = leggero S = pesante - PN = pressione nominale PB = massima pressione d'esercizio - Ø d2 = diametro esterno del tubo

Varianti dei prodotti

STOR VA Raccordi filettati orientabili a flusso libero, forma di T, Tronchetto con dado e anello di serraggio