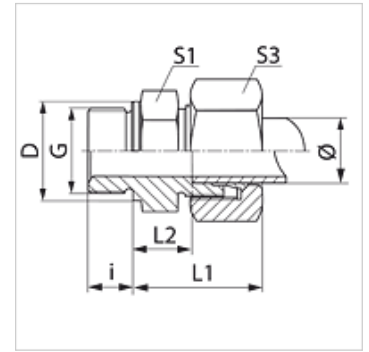


Caratteristiche

| | |
|--------------------------------|---|
| Attacco 1 | Filetto esterno metrico cilindrico |
| Tenuta 1 | Forma B |
| Attacco 2 | Filetto esterno metrico cilindrico |
| Tenuta 2 | Cono interno da 24° |
| Tipo | Raccordo filettato maschio |
| Forma costruttiva | diritto |
| Norma | DIN 2353 ISO 8434-1 |
| Entità della fornitura | Tronchetto con dado e anello di serraggio |
| Materiale | Acciaio |
| Protezione superficiale | con rivestimento elettrolitico |



Nota

Le istruzioni per montaggio, installazione, pressioni e temperature d'esercizio ammesse possono essere desunte dalle informazioni tecniche per i raccordi filettati dei tubi.

Articolo

| Denominazione | Serie | Pressione d'esercizio in bar: | diametro esterno del tubo Ø (mm) | G | D (mm) | i (mm) | L1 (mm) | L2 (mm) | S1 | S3 |
|--------------------|-------|-------------------------------|----------------------------------|------------|--------|--------|---------|---------|----|----|
| VM 16 LL | LL | PN 100 | 16 | M 22 x 1,5 | 27 | 14 | 44,0 | 15,0 | 27 | 27 |
| VM 16 LL 16-1.5 | LL | PN 100 | 16 | M 16 x 1,5 | 21 | 12 | 40,5 | 13,5 | 24 | 27 |
| VM 16 LL 18-1.5 | LL | PN 100 | 16 | M 18 x 1,5 | 23 | 12 | 40,5 | 13,5 | 24 | 27 |
| VM NW 04 HL | L | PN 315 | 6 | M 10 x 1 | 14 | 8 | 23,0 | 8,5 | 14 | 14 |
| VM NW 04 HL 12 | L | PN 315 | 6 | M 12 x 1,5 | 17 | 12 | 25,0 | 10,0 | 17 | 14 |
| VM NW 04 HL 14 | L | PN 315 | 6 | M 14 x 1,5 | 19 | 12 | 25,0 | 10,0 | 19 | 14 |
| VM NW 04 HL 16 | L | PN 315 | 6 | M 16 x 1,5 | 21 | 12 | 25,0 | 11,5 | 22 | 14 |
| VM NW 04 HL 18 | L | PN 315 | 6 | M 18 x 1,5 | 23 | 12 | 24,5 | 11,5 | 24 | 14 |
| VM NW 04 HL 22 | L | PN 315 | 6 | M 22 x 1,5 | 27 | 14 | 28,0 | 13,0 | 27 | 14 |
| VM NW 06 HL | L | PN 315 | 8 | M 12 x 1,5 | 17 | 12 | 25,0 | 10,0 | 17 | 17 |
| VM NW 06 HL 10 | L | PN 315 | 8 | M 10 x 1 | 17 | 8 | 25,0 | 10,0 | 17 | 17 |
| VM NW 06 HL 14 | L | PN 315 | 8 | M 14 x 1,5 | 19 | 12 | 25,0 | 10,0 | 19 | 17 |
| VM NW 06 HL 16 | L | PN 315 | 8 | M 16 x 1,5 | 21 | 12 | 26,0 | 11,5 | 22 | 17 |
| VM NW 06 HL 18 | L | PN 315 | 8 | M 18 x 1,5 | 23 | 12 | 26,0 | 11,5 | 24 | 17 |
| VM NW 06 HL 22 | L | PN 315 | 8 | M 22 x 1,5 | 27 | 14 | 28,0 | 13,0 | 27 | 17 |
| VM NW 08 HL | L | PN 315 | 10 | M 14 x 1,5 | 19 | 12 | 26,0 | 11,0 | 19 | 19 |
| VM NW 08 HL 12 | L | PN 315 | 10 | M 12 x 1,5 | 17 | 12 | 26,0 | 11,0 | 17 | 19 |
| VM NW 08 HL 16 | L | PN 315 | 10 | M 16 x 1,5 | 22 | 12 | 27,5 | 12,5 | 22 | 19 |
| VM NW 08 HL 18 | L | PN 315 | 10 | M 18 x 1,5 | 23 | 12 | 27,5 | 12,5 | 24 | 19 |
| VM NW 08 HL 22 | L | PN 315 | 10 | M 22 x 1,5 | 27 | 14 | 29,0 | 14,0 | 27 | 19 |
| VM NW 10 HL | L | PN 315 | 12 | M 16 x 1,5 | 21 | 12 | 27,0 | 12,5 | 22 | 22 |
| VM NW 10 HL 12 | L | PN 315 | 12 | M 12 x 1,5 | 17 | 12 | 26,0 | 11,0 | 19 | 22 |
| VM NW 10 HL 14 | L | PN 315 | 12 | M 14 x 1,5 | 19 | 12 | 27,0 | 12,5 | 22 | 22 |
| VM NW 10 HL 18 | L | PN 315 | 12 | M 18 x 1,5 | 23 | 12 | 27,0 | 12,5 | 24 | 22 |
| VM NW 10 HL 22 | L | PN 315 | 12 | M 22 x 1,5 | 27 | 14 | 28,5 | 14,0 | 27 | 22 |
| VM NW 10 HL 24 | L | PN 315 | 12 | M 24 x 1,5 | 27 | 14 | 28,5 | 14,0 | 27 | 22 |
| VM NW 10 HL 26 | L | PN 315 | 12 | M 26 x 1,5 | 27 | 14 | 28,5 | 14,0 | 27 | 22 |
| VM NW 13 HL | L | PN 315 | 15 | M 18 x 1,5 | 23 | 12 | 29,0 | 13,5 | 24 | 27 |
| VM NW 13 HL 14 | L | PN 315 | 15 | M 14 x 1,5 | 19 | 12 | 29,0 | 13,5 | 24 | 27 |
| VM NW 13 HL 16 | L | PN 315 | 15 | M 16 x 1,5 | 21 | 12 | 29,0 | 13,5 | 24 | 27 |
| VM NW 13 HL 22 | L | PN 315 | 15 | M 22 x 1,5 | 27 | 14 | 30,5 | 15,0 | 27 | 27 |
| VM NW 13 HL 26 | L | PN 315 | 15 | M 26 x 1,5 | 31 | 16 | 30,5 | 15,0 | 32 | 27 |
| VM NW 13 HL 30 | L | PN 315 | 15 | M 30 x 2 | 39 | 16 | 30,5 | 15,0 | 41 | 27 |
| VM NW 16 HL | L | PN 315 | 18 | M 22 x 1,5 | 27 | 14 | 31,0 | 14,5 | 27 | 32 |
| VM NW 16 HL 18 | L | PN 315 | 18 | M 18 x 1,5 | 23 | 12 | 30,5 | 14,0 | 27 | 32 |
| VM NW 16 HL 26 | L | PN 315 | 18 | M 26 x 1,5 | 31 | 16 | 31,0 | 14,5 | 32 | 32 |
| VM NW 16 HL 27 | L | PN 315 | 18 | M 27 x 2 | 31 | 16 | 31,0 | 14,5 | 32 | 32 |
| VM NW 16 HL 30-1.5 | L | PN 315 | 18 | M 30 x 1,5 | 39 | 16 | 31,0 | 15,0 | 41 | 27 |
| VM NW 20 HL | L | PN 160 | 22 | M 26 x 1,5 | 31 | 16 | 33,0 | 16,5 | 32 | 36 |
| VM NW 20 HL 18 | L | PN 160 | 22 | M 18 x 1,5 | 27 | 14 | 31,0 | 14,5 | 27 | 36 |
| VM NW 20 HL 22 | L | PN 160 | 22 | M 22 x 1,5 | 27 | 14 | 33,0 | 16,5 | 32 | 36 |



Articolo

| Denominazione | Serie | Pressione d'esercizio in bar: | diametro esterno del tubo Ø (mm) | G | D (mm) | i (mm) | L1 (mm) | L2 (mm) | S1 | S3 |
|--------------------|-------|-------------------------------|-------------------------------------|------------|-----------|-----------|------------|------------|----|----|
| VM NW 20 HL 30-1.5 | L | PN 160 | 22 | M 30 x 1,5 | 39 | 14 | 33,0 | 16,5 | 41 | 36 |
| VM NW 25 HL | L | PN 160 | 28 | M 33 x 2 | 39 | 18 | 34,0 | 17,5 | 41 | 41 |
| VM NW 25 HL 22 | L | PN 160 | 28 | M 22 x 1,5 | 27 | 18 | 34,0 | 17,5 | 32 | 41 |
| VM NW 25 HL 26 | L | PN 160 | 28 | M 26 x 1,5 | 31 | 16 | 34,0 | 17,5 | 41 | 41 |
| VM NW 25 HL 27 | L | PN 160 | 28 | M 27 x 2 | 39 | 20 | 34,0 | 17,5 | 41 | 41 |
| VM NW 25 HL 42 | L | PN 160 | 28 | M 42 x 2 | 55 | 22 | 34,0 | 19,0 | 55 | 41 |
| VM NW 32 HL | L | PN 160 | 35 | M 42 x 2 | 49 | 20 | 39,0 | 17,5 | 50 | 50 |
| VM NW 40 HL | L | PN 160 | 42 | M 48 x 2 | 55 | 22 | 42,0 | 19,0 | 55 | 60 |
| VM NW 03 HS | S | PN 400 | 6 | M 12 x 1,5 | 17 | 12 | 28,0 | 13,0 | 17 | 17 |
| VM NW 03 HS 16 | S | PN 400 | 6 | M 16 x 1,5 | 21 | 12 | 28,0 | 13,0 | 17 | 17 |
| VM NW 03 HS 18 | S | PN 400 | 6 | M 18 x 1,5 | 27 | 14 | 28,0 | 13,0 | 19 | 17 |
| VM NW 03 HS 22 | S | PN 400 | 6 | M 22 x 1,5 | 25 | 14 | 28,0 | 13,0 | 19 | 17 |
| VM NW 04 HS | S | PN 400 | 8 | M 14 x 1,5 | 19 | 12 | 30,0 | 15,0 | 19 | 19 |
| VM NW 06 HS | S | PN 400 | 10 | M 16 x 1,5 | 21 | 12 | 31,0 | 15,0 | 22 | 22 |
| VM NW 06 HS 18 | S | PN 400 | 10 | M 18 x 1,5 | 27 | 14 | 31,0 | 15,0 | 22 | 22 |
| VM NW 06 HS 22 | S | PN 400 | 10 | M 22 x 1,5 | 27 | 14 | 31,0 | 15,0 | 24 | 22 |
| VM NW 08 HS | S | PN 400 | 12 | M 18 x 1,5 | 23 | 12 | 33,0 | 17,0 | 24 | 24 |
| VM NW 08 HS 14 | S | PN 400 | 12 | M 14 x 1,5 | 21 | 12 | 33,0 | 17,0 | 19 | 24 |
| VM NW 08 HS 16 | S | PN 400 | 12 | M 16 x 1,5 | 21 | 12 | 29,0 | 17,0 | 24 | 24 |
| VM NW 08 HS 22 | S | PN 400 | 12 | M 22 x 1,5 | 27 | 14 | 33,5 | 17,5 | 27 | 24 |
| VM NW 10 HS | S | PN 400 | 14 | M 20 x 1,5 | 25 | 14 | 37,0 | 19,0 | 27 | 27 |
| VM NW 10 HS 16 | S | PN 400 | 14 | M 16 x 1,5 | 21 | 12 | 37,0 | 19,0 | 24 | 27 |
| VM NW 10 HS 18 | S | PN 400 | 14 | M 18 x 1,5 | 27 | 14 | 37,0 | 19,0 | 24 | 27 |
| VM NW 10 HS 22 | S | PN 400 | 14 | M 22 x 1,5 | 27 | 14 | 37,0 | 19,0 | 27 | 27 |
| VM NW 13 HS | S | PN 400 | 16 | M 22 x 1,5 | 27 | 14 | 37,0 | 18,5 | 27 | 30 |
| VM NW 13 HS 16 | S | PN 400 | 16 | M 16 x 1,5 | 21 | 12 | 37,0 | 18,5 | 24 | 30 |
| VM NW 13 HS 18 | S | PN 400 | 16 | M 18 x 1,5 | 23 | 12 | 37,0 | 18,5 | 27 | 30 |
| VM NW 13 HS 26 | S | PN 400 | 16 | M 26 x 1,5 | 32 | 16 | 37,0 | 18,5 | 32 | 30 |
| VM NW 16 HS | S | PN 400 | 20 | M 27 x 2 | 32 | 16 | 42,0 | 20,5 | 32 | 36 |
| VM NW 16 HS 22 | S | PN 400 | 20 | M 22 x 1,5 | 27 | 14 | 42,0 | 20,5 | 32 | 36 |
| VM NW 16 HS 30-1.5 | S | PN 400 | 20 | M 30 x 1,5 | 39 | 18 | 42,0 | 20,5 | 36 | 36 |
| VM NW 20 HS | S | PN 250 | 25 | M 33 x 2 | 39 | 18 | 47,0 | 23,0 | 41 | 46 |
| VM NW 20 HS 27 | S | PN 250 | 25 | M 27 x 2 | 32 | 16 | 47,0 | 23,0 | 41 | 46 |
| VM NW 25 HS | S | PN 160 | 30 | M 42 x 2 | 49 | 20 | 50,0 | 23,5 | 50 | 50 |
| VM NW 32 HS | S | PN 160 | 38 | M 48 x 2 | 55 | 22 | 57,0 | 26,0 | 55 | 60 |

Serie: LL = molto leggero L = leggero S = pesante - PN = pressione nominale PB = massima pressione d'esercizio - Ø = diametro esterno tubo

Varianti dei prodotti

| | |
|-------|--|
| VM MG | Raccordo filettato maschio, Ottone |
| VM VA | Raccordo filettato maschio, Acciaio inossidabile |
| XVM | Raccordo filettato maschio, Acciaio |