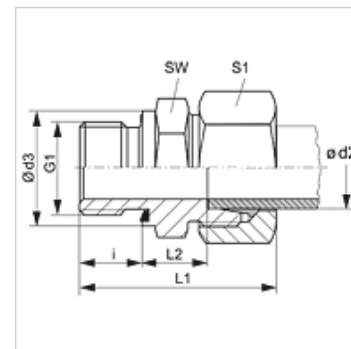


Caratteristiche

Attacco 1	Filetto esterno BSP cilindrico
Tenuta 1	Forma E
Attacco 2	Filetto esterno metrico cilindrico
Tenuta 2	Cono interno da 24°
Tipo	Raccordo filettato maschio
Forma costruttiva	diritto
Norma	DIN 2353 ISO 8434-1
Entità della fornitura	Tronchetto con dado e anello di serraggio
Materiale	Acciaio
Protezione superficiale	con rivestimento elettrolitico



Nota

Le istruzioni per montaggio, installazione, pressioni e temperature d'esercizio ammesse possono essere desunte dalle informazioni tecniche per i raccordi filettati dei tubi.

Articolo

Denominazione	Serie	Pressione d'esercizio in bar:	Ø d2 (mm)	G1	Ø d3 (mm)	i (mm)	L1 (mm)	L2 (mm)	SW (mm)	S1
VR 04 LL ED	LL	PN 100	4	G 1/8" -28	14,0	8	28,0	9,5	14	10
VR 06 LL ED	LL	PN 100	6	G 1/8" -28	14,0	8	28,0	8,0	14	12
VR NW 04 HL ED	L	PN 315	6	G 1/8" -28	14,0	8	31,0	8,5	14	14
VR NW 04 HL 1/4 ED	L	PN 315	6	G 1/4" -19	18,7	12	39,0	10,0	19	14
VR NW 04 HL 1/2 ED	L	PN 315	6	G 1/2" -14	27,0	14	43,0	12,0	27	14
VR NW 04 HL 3/8 ED	L	PN 315	6	G 3/8" -19	22,0	12	39,0	11,5	22	14
VR NW 06 HL 1/8 ED	L	PN 315	8	G 1/8" -28	14,0	8	34,0	9,5	14	17
VR NW 06 HL ED	L	PN 315	8	G 1/4" -19	18,7	12	37,0	10,0	19	17
VR NW 06 HL 3/8 ED	L	PN 315	8	G 3/8" -19	22,0	12	40,5	11,5	22	17
VR NW 06 HL 1/2 ED	L	PN 315	8	G 1/2" -14	27,0	14	42,5	12,0	27	14
VR NW 08 HL 1/8 ED	L	PN 315	10	G 1/8" -28	14,0	8	35,5	10,5	17	19
VR NW 08 HL ED	L	PN 315	10	G 1/4" -19	18,7	12	38,0	11,0	19	19
VR NW 08 HL 3/8 ED	L	PN 315	10	G 3/8" -19	22,0	12	42,5	12,5	22	19
VR NW 08 HL 1/2 ED	L	PN 315	10	G 1/2" -14	26,7	14	46,5	13,0	27	19
VR NW 10 HL 1/4 ED	L	PN 315	12	G 1/4" -19	18,7	12	42,0	12,5	22	22
VR NW 10 HL ED	L	PN 315	12	G 3/8" -19	22,0	12	39,0	12,5	22	22
VR NW 10 HL 1/2 ED	L	PN 315	12	G 1/2" -14	26,7	14	45,0	13,0	27	22
VR NW 10 HL 3/4 ED	L	PN 160	12	G 3/4" -14	32,0	16	47,0	14,0	32	22
VR NW 13 HL 3/8 ED	L	PN 315	15	G 3/8" -19	22,0	12	43,0	13,6	27	27
VR NW 13 HL ED	L	PN 315	15	G 1/2" -14	26,7	14	43,0	14,0	27	27
VR NW 13 HL 3/4 ED	L	PN 315	15	G 3/4" -14	32,0	16	48,5	15,0	32	27
VR NW 16 HL 3/8 ED	L	PN 315	18	G 3/8" -19	22,0	12	45,0	14,0	27	32
VR NW 16 HL ED	L	PN 315	18	G 1/2" -14	26,7	14	45,0	14,5	27	32
VR NW 16 HL 3/4 ED	L	PN 315	18	G 3/4" -14	32,0	16	50,0	14,5	32	32
VR NW 20 HL 1/2 ED	L	PN 315	22	G 1/2" -14	27,0	14	51,0	16,5	32	36
VR NW 20 HL ED	L	PN 160	22	G 3/4" -14	32,0	16	49,0	16,5	32	36
VR NW 20 HL 1 ED	L	PN 160	22	G 1" -11	40,0	18	56,0	17,5	41	36
VR NW 25 HL 3/4 ED	L	PN 160	28	G 3/4" -14	32,0	16	54,0	17,5	41	41
VR NW 25 HL ED	L	PN 160	28	G 1" -11	39,7	18	52,0	17,5	41	41
VR NW 25 HL 1 1/4 ED	L	PN 160	28	G 1.1/4" -11	60,0	20	55,0	18,5	50	41
VR NW 32 HL 1 ED	L	PN 160	35	G 1" -11	40,0	18	60,0	17,5	46	50
VR NW 32 HL ED	L	PN 160	35	G 1.1/4" -11	49,7	20	59,0	17,5	50	50
VR NW 40 HL 1 1/4 ED	L	PN 160	42	G 1.1/4" -11	50,0	20	67,0	19,0	55	60
VR NW 40 HL ED	L	PN 160	42	G 1.1/2" -11	55,0	22	69,0	19,0	55	60
VR NW 03 HS ED	S	PN 630	6	G 1/4" -19	18,7	12	40,0	13,0	19	17
VR NW 03 HS 1/2 ED	S	PN 630	6	G 1/2" -14	27,0	14	48,0	18,0	27	17
VR NW 04 HS ED	S	PN 630	8	G 1/4" -19	18,7	12	42,0	15,0	19	19
VR NW 04 HS 3/8 ED	S	PN 630	8	G 3/8" -19	22,0	12	42,5	15,5	22	19
VR NW 06 HS 1/4 ED	S	PN 630	10	G 1/4" -19	18,7	12	42,5	14,5	22	22
VR NW 06 HS ED	S	PN 630	10	G 3/8" -19	22,0	12	43,0	15,0	22	22



Articolo

Denominazione	Serie	Pressione d'esercizio in bar:	Ø d2 (mm)	G1	Ø d3 (mm)	i (mm)	L1 (mm)	L2 (mm)	SW (mm)	S1
VR NW 06 HS 1/2 ED	S	PN 630	10	G 1/2" -14	26,7	14	47,0	17,5	27	22
VR NW 08 HS 1/4 ED	S	PN 630	12	G 1/4" -19	19,0	12	45,0	16,5	22	24
VR NW 08 HS ED	S	PN 630	12	G 3/8" -19	22,0	12	45,0	17,0	22	24
VR NW 08 HS 1/2 ED	S	PN 630	12	G 1/2" -14	27,0	14	47,5	17,5	27	24
VR NW 10 HS 3/8 ED	S	PN 630	14	G 3/8" -19	22,0	12	48,0	18,5	24	27
VR NW 10 HS ED	S	PN 630	14	G 1/2" -14	26,7	14	51,0	19,0	27	27
VR NW 10 HS 3/4 ED	S	PN 630	14	G 3/4" -14	32,0	16	55,0	21,0	32	27
VR NW 13 HS 3/8 ED	S	PN 400	16	G 3/8" -19	22,0	12	47,0	18,0	27	30
VR NW 13 HS ED	S	PN 400	16	G 1/2" -14	26,7	14	51,0	18,5	27	30
VR NW 13 HS 3/4 ED	S	PN 400	16	G 3/4" -14	32,0	16	55,0	20,5	32	30
VR NW 16 HS 1/2 ED	S	PN 400	20	G 1/2" -14	27,0	14	56,0	20,5	32	36
VR NW 16 HS ED	S	PN 400	20	G 3/4" -14	32,0	16	58,0	20,5	32	36
VR NW 16 HS 1 ED	S	PN 400	20	G 1" -11	39,7	18	62,0	20,5	41	36
VR NW 20 HS 1/2 ED	S	PN 400	25	G 1/2" -14	27,0	14	61,0	23,0	41	46
VR NW 20 HS 3/4 ED	S	PN 400	25	G 3/4" -14	32,0	16	63,0	23,0	41	46
VR NW 20 HS ED	S	PN 400	25	G 1" -11	39,7	18	65,0	23,0	41	46
VR NW 25 HS ED	S	PN 400	30	G 1.1/4" -11	49,7	20	70,0	23,5	50	50
VR NW 25 HS 1 ED	S	PN 400	30	G 1" -11	40,0	18	68,0	23,5	46	50
VR NW 32 HS 1 1/4 ED	S	PN 315	38	G 1.1/4" -11	50,0	20	74,0	26,0	55	60
VR NW 32 HS ED	S	PN 315	38	G 1.1/2" -11	55,0	22	79,0	26,0	55	60

Serie: LL = molto leggero L = leggero S = pesante - PN = pressione nominale PB = massima pressione d'esercizio - Ø d2 = diametro esterno del tubo

Varianti dei prodotti

VR ED MG	Raccordo filettato maschio, Ottone
VR ED VA	Raccordo filettato maschio, Acciaio inossidabile
XVR ED	Raccordo filettato maschio, Acciaio

Parti di ricambio

WD	Tenuta morbida per raccordi filettati ED
----	--