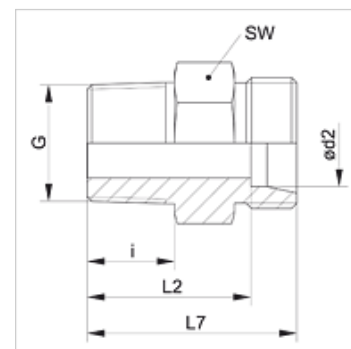


XVN VA

Raccordo filettato maschio

Caratteristiche

Attacco 1	Filetto esterno NPT
Tenuta 1	con guarnizione filetto
Attacco 2	Filetto esterno metrico cilindrico
Tenuta 2	Cono interno da 24°
Tipo	Raccordo filettato maschio
Forma costruttiva	diritto
Norma	DIN 2353 ISO 8434-1
Entità della fornitura	Tronchetto (senza dado e anello di serraggio)
Materiale	Acciaio inossidabile



Nota

Le istruzioni per montaggio, installazione, pressioni e temperature d'esercizio ammesse possono essere desunte dalle informazioni tecniche per i raccordi filettati dei tubi.

Articolo

Denominazione	Serie	Pressione d'esercizio in bar:	Ø d2 (mm)	G	i (mm)	L2 (mm)	L7 (mm)	SW (mm)
XVN 04 LL VA	LL	PN 100	4	1/8" -27 NPT	10,0	18,0	22,0	11
XVN 06 LL VA	LL	PN 100	6	1/8" -27 NPT	10,0	16,5	22,0	11
XVN 08 LL VA	LL	PN 100	8	1/8" -27 NPT	10,0	18,5	24,0	12
XVN NW 04 HL VA	L	PN 315	6	1/8" -27 NPT	10,0	17,0	24,0	12
XVN NW 04 HL 1/4 VA	L	PN 315	6	1/4" -18 NPT	15,0	23,0	30,0	17
XVN NW 04 HL 3/8 VA	L	PN 315	6	3/8" -18 NPT	15,3	24,0	31,0	19
XVN NW 04 HL 1/2 VA	L	PN 315	6	1/2" -14 NPT	20,0	29,0	36,0	24
XVN NW 06 HL 1/8 VA	L	PN 315	8	1/8" -27 NPT	10,0	18,0	25,0	17
XVN NW 06 HL VA	L	PN 315	8	1/4" -18 NPT	15,0	23,0	30,0	17
XVN NW 06 HL 3/8 VA	L	PN 315	8	3/8" -18 NPT	15,3	24,0	31,0	19
XVN NW 06 HL 1/2 VA	L	PN 315	8	1/2" -14 NPT	20,0	29,0	36,0	24
XVN NW 08 HL 1/8 VA	L	PN 315	10	1/8" -27 NPT	10,0	19,0	26,0	17
XVN NW 08 HL VA	L	PN 315	10	1/4" -18 NPT	15,0	24,0	31,0	17
XVN NW 08 HL 3/8 VA	L	PN 315	10	3/8" -18 NPT	15,3	25,0	32,0	19
XVN NW 08 HL 1/2 VA	L	PN 315	10	1/2" -14 NPT	20,0	30,0	37,0	24
XVN NW 08 HL 3/4 VA	L	PN 315	10	3/4" -14 NPT	20,2	31,0	38,0	27
XVN NW 10 HL 1/8 VA	L	PN 315	12	1/8" -27 NPT	10,0	19,5	26,5	19
XVN NW 10 HL 1/4 VA	L	PN 315	12	1/4" -18 NPT	15,0	25,0	32,0	19
XVN NW 10 HL VA	L	PN 315	12	3/8" -18 NPT	15,3	25,0	32,0	19
XVN NW 10 HL 1/2 VA	L	PN 315	12	1/2" -14 NPT	20,0	30,0	37,0	24
XVN NW 10 HL 3/4 VA	L	PN 315	12	3/4" -14 NPT	20,2	31,0	38,0	27
XVN NW 13 HL 1/4 VA	L	PN 315	15	1/4" -18 NPT	15,0	26,0	33,0	24
XVN NW 13 HL 3/8 VA	L	PN 315	15	3/8" -18 NPT	15,3	26,5	33,5	24
XVN NW 13 HL VA	L	PN 315	15	1/2" -14 NPT	20,0	31,0	38,0	24
XVN NW 13 HL 3/4 VA	L	PN 315	15	3/4" -14 NPT	20,2	32,0	39,0	27
XVN NW 13 HL 1 VA	L	PN 315	15	1" -11,5 NPT	25,0	37,5	44,5	36
XVN NW 16 HL 3/8 VA	L	PN 315	18	3/8" -18 NPT	15,3	27,0	34,5	27
XVN NW 16 HL VA	L	PN 315	18	1/2" -14 NPT	20,0	31,5	39,0	27
XVN NW 16 HL 3/4 VA	L	PN 315	18	3/4" -14 NPT	20,2	31,5	39,0	27
XVN NW 16 HL 1 VA	L	PN 315	18	1" -11,5 NPT	25,0	37,0	44,5	36
XVN NW 20 HL 3/8 VA	L	PN 160	22	3/8" -18 NPT	15,3	29,0	36,5	32
XVN NW 20 HL 1/2 VA	L	PN 160	22	1/2" -14 NPT	20,0	33,5	41,0	32
XVN NW 20 HL VA	L	PN 160	22	3/4" -14 NPT	20,2	33,5	41,0	32
XVN NW 20 HL 1 VA	L	PN 160	22	1" -11,5 NPT	25,0	39,0	46,5	36
XVN NW 20 HL 1 1/4 VA	L	PN 160	22	1.1/4" -11,5 NPT	25,6	41,5	49,0	46
XVN NW 25 HL 1/2 VA	L	PN 160	28	1/2" -14 NPT	20,0	34,5	42,0	41
XVN NW 25 HL 3/4 VA	L	PN 160	28	3/4" -14 NPT	20,2	34,5	42,0	41
XVN NW 25 HL VA	L	PN 160	28	1" -11,5 NPT	25,0	39,5	47,0	41
XVN NW 25 HL 1 1/4 VA	L	PN 160	28	1.1/4" -11,5 NPT	25,6	41,5	49,0	46
XVN NW 32 HL 3/4 VA	L	PN 160	35	3/4" -14 NPT	20,2	35,0	45,5	46
XVN NW 32 HL 1 VA	L	PN 160	35	1" -11,5 NPT	25,0	40,0	50,5	46
XVN NW 32 HL VA	L	PN 160	35	1.1/4" -11,5 NPT	25,6	40,5	51,0	46
XVN NW 32 HL 1 1/2 VA	L	PN 160	35	1.1/2" -11,5 NPT	26,0	42,5	53,0	55



Articolo

Denominazione	Serie	Pressione d'esercizio in bar:	Ø d2 (mm)	G	i (mm)	L2 (mm)	L7 (mm)	SW (mm)
XVN NW 40 HL 1 VA	L	PN 160	42	1" -11,5 NPT	25,0	41,0	52,0	55
XVN NW 40 HL 1 1/4 VA	L	PN 160	42	1.1/4" -11,5 NPT	25,6	41,5	52,5	55
XVN NW 40 HL VA	L	PN 160	42	1.1/2" -11,5 NPT	26,0	42,0	53,0	55
XVN NW 03 HS 1/8 VA	S	PN 630	6	1/8" -27 NPT	10,0	23,0	30,0	17
XVN NW 03 HS VA	S	PN 630	6	1/4" -18 NPT	15,0	28,0	35,0	17
XVN NW 03 HS 1/2 VA	S	PN 630	6	1/2" -14 NPT	20,0	35,0	42,0	24
XVN NW 03 HS 3/8 VA	S	PN 630	6	3/8" -18 NPT	15,3	28,0	35,0	19
XVN NW 04 HS 1/8 VA	S	PN 630	8	1/8" -27 NPT	10,0	23,0	30,0	17
XVN NW 04 HS 3/8 VA	S	PN 630	8	3/8" -18 NPT	15,3	28,0	35,0	19
XVN NW 04 HS VA	S	PN 630	8	1/4" -18 NPT	15,0	28,0	35,0	17
XVN NW 04 HS 1/2 VA	S	PN 630	8	1/2" -14 NPT	20,0	35,0	42,0	24
XVN NW 06 HS 1/8 VA	S	PN 630	10	1/8" -27 NPT	10,0	22,5	30,0	19
XVN NW 06 HS 1/4 VA	S	PN 630	10	1/4" -18 NPT	15,0	27,5	35,0	19
XVN NW 06 HS VA	S	PN 630	10	3/8" -18 NPT	15,3	27,5	35,0	19
XVN NW 06 HS 1/2 VA	S	PN 400	10	1/2" -14 NPT	20,0	34,5	42,0	24
XVN NW 06 HS 3/4 VA	S	PN 630	10	3/4" -14 NPT	20,2	36,5	44,0	32
XVN NW 08 HS 1/4 VA	S	PN 630	12	1/4" -18 NPT	15,0	29,0	36,5	22
XVN NW 08 HS 3/4 VA	S	PN 630	12	3/4" -14 NPT	20,0	36,5	44,0	32
XVN NW 08 HS VA	S	PN 630	12	3/8" -18 NPT	15,3	29,5	37,0	22
XVN NW 08 HS 1/2 VA	S	PN 630	12	1/2" -14 NPT	20,0	34,5	42,0	24
XVN NW 10 HS 3/8 VA	S	PN 630	14	3/8" -18 NPT	15,3	31,5	39,5	24
XVN NW 10 HS VA	S	PN 630	14	1/2" -14 NPT	20,0	36,0	44,0	24
XVN NW 10 HS 3/4 VA	S	PN 630	14	3/4" -14 NPT	20,2	38,0	46,0	32
XVN NW 10 HS 1 VA	S	PN 630	14	1" -11,5 NPT	25,0	45,0	53,0	41
XVN NW 13 HS VA	S	PN 400	16	1/2" -14 NPT	20,0	35,5	44,0	27
XVN NW 13 HS 3/8 VA	S	PN 400	16	3/8" -18 NPT	15,3	31,0	39,5	27
XVN NW 13 HS 3/4 VA	S	PN 400	16	3/4" -14 NPT	20,2	37,5	46,0	32
XVN NW 13 HS 1 VA	S	PN 400	16	1" -11,5 NPT	25,0	44,5	53,0	41
XVN NW 16 HS 3/8 VA	S	PN 400	20	3/8" -18 NPT	15,3	33,0	43,5	32
XVN NW 16 HS 1/2 VA	S	PN 400	20	1/2" -14 NPT	20,0	37,5	48,0	32
XVN NW 16 HS VA	S	PN 400	20	3/4" -14 NPT	20,2	37,5	48,0	32
XVN NW 16 HS 1 VA	S	PN 400	20	1" -11,5 NPT	25,0	44,5	55,0	41
XVN NW 16 HS 1 1/4 VA	S	PN 400	20	1.1/4" -11,5 NPT	25,6	45,5	56,0	46
XVN NW 20 HS 3/4 VA	S	PN 400	25	3/4" -14 NPT	20,2	40,0	52,0	41
XVN NW 20 HS VA	S	PN 400	25	1" -11,5 NPT	25,0	45,0	57,0	41
XVN NW 20 HS 1/2 VA	S	PN 400	25	1/2" -14 NPT	20,0	40,0	52,0	41
XVN NW 20 HS 1 1/4 VA	S	PN 400	25	1.1/4" -11,5 NPT	25,6	46,0	58,0	46
XVN NW 20 HS 1 1/2 VA	S	PN 400	25	1.1/2" -11,5 NPT	26,0	49,0	61,0	55
XVN NW 25 HS VA	S	PN 400	30	1.1/4" -11,5 NPT	25,6	46,5	60,0	46
XVN NW 25 HS 3/4 VA	S	PN 400	30	3/4" -14 NPT	20,2	41,0	54,5	46
XVN NW 25 HS 1 VA	S	PN 400	30	1" -11,5 NPT	25,0	46,0	59,5	46
XVN NW 25 HS 1 1/2 VA	S	PN 400	30	1.1/2" -11,5 NPT	26,0	49,5	63,0	55
XVN NW 32 HS 1 VA	S	PN 315	38	1" -11,5 NPT	25,0	48,0	64,0	55
XVN NW 32 HS VA	S	PN 315	38	1.1/2" -11,5 NPT	26,0	49,0	65,0	55
XVN NW 32 HS 1 1/4 VA	S	PN 315	38	1.1/4" -11,5 NPT	25,6	48,5	64,5	55

Serie: LL = molto leggero L = leggero S = pesante - PN = pressione nominale PB = massima pressione d'esercizio - Ø d2 = diametro esterno del tubo

Varianti dei prodotti

XVN	Raccordo filettato maschio, Acciaio
VN VA	Raccordo filettato maschio, Acciaio inossidabile