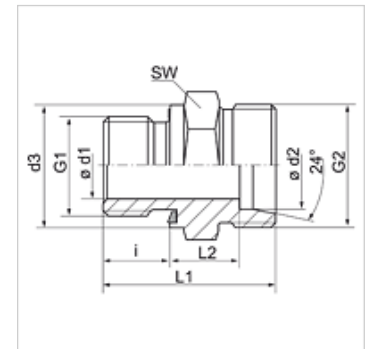


Caratteristiche

Attacco 1	Filetto esterno BSP cilindrico
Tenuta 1	Forma E
Attacco 2	Filetto esterno metrico cilindrico
Tenuta 2	Cono interno da 24°
Tipo	Raccordo filettato maschio
Forma costruttiva	diritto
Norma	DIN 2353 ISO 8434-1
Entità della fornitura	Tronchetto (senza dado e anello di serraggio)
Materiale	Acciaio
Protezione superficiale	con rivestimento elettrolitico



Nota

Le istruzioni per montaggio, installazione, pressioni e temperature d'esercizio ammesse possono essere desunte dalle informazioni tecniche per i raccordi filettati dei tubi.

Articolo

Denominazione	Serie	Pressione d'esercizio in bar:	Ø d1 (mm)	Ø d2 (mm)	G1	G2	Ø d3 (mm)	i (mm)	L1 (mm)	L2 (mm)	SW (mm)
XVR 04 LL ED	LL	PN 100	-	4	G 1/8" -28	M 8 x 1	14	8	20,0	9,5	14
XVR 06 LL ED	LL	PN 100	-	6	G 1/8" -28	M 10 x 1	14	8	20,0	8,0	14
XVR NW 04 HL ED	L	PN 315	-	6	G 1/8" -28	M 12 x 1,5	14	8	23,5	8,5	14
XVR NW 04 HL 1/4 ED	L	PN 315	-	6	G 1/4" -19	M 12 x 1,5	20	12	29,0	10,0	19
XVR NW 04 HL 1/2 ED	L	PN 315	-	6	G 1/2" -14	M 12 x 1,5	27	14	33,0	12,0	27
XVR NW 04 HL 3/8 ED	L	PN 315	-	6	G 3/8" -19	M 12 x 1,5	22	12	29,5	10,5	22
XVR NW 06 HL 1/8 ED	L	PN 315	-	8	G 1/8" -28	M 14 x 1,5	14	8	24,5	9,5	14
XVR NW 06 HL ED	L	PN 315	-	8	G 1/4" -19	M 14 x 1,5	19	12	29,0	10,0	19
XVR NW 06 HL 3/8 ED	L	PN 315	-	8	G 3/8" -19	M 14 x 1,5	22	12	30,5	11,5	22
XVR NW 06 HL 1/2 ED	L	PN 315	-	8	G 1/2" -14	M 14 x 1,5	27	14	33,0	12,0	27
XVR NW 08 HL 1/8 ED	L	PN 315	-	10	G 1/8" -28	M 16 x 1,5	14	8	25,5	10,5	19
XVR NW 08 HL ED	L	PN 315	-	10	G 1/4" -19	M 16 x 1,5	19	12	30,0	11,0	19
XVR NW 08 HL 3/8 ED	L	PN 315	-	10	G 3/8" -19	M 16 x 1,5	22	12	31,5	12,5	22
XVR NW 08 HL 1/2 ED	L	PN 315	-	10	G 1/2" -14	M 16 x 1,5	27	14	34,0	13,0	27
XVR NW 10 HL 1/4 ED	L	PN 315	-	12	G 1/4" -19	M 18 x 1,5	19	12	31,5	12,5	22
XVR NW 10 HL ED	L	PN 315	-	12	G 3/8" -19	M 18 x 1,5	22	12	31,5	12,5	22
XVR NW 10 HL 1/2 ED	L	PN 315	-	12	G 1/2" -14	M 18 x 1,5	27	14	34,0	13,0	27
XVR NW 10 HL 3/4 ED	L	PN 250	-	12	G 3/4" -14	M 18 x 1,5	32	16	36,0	13,0	32
XVR NW 13 HL 3/8 ED	L	PN 315	-	15	G 3/8" -19	M 22 x 1,5	22	12	33,0	14,0	27
XVR NW 13 HL ED	L	PN 315	-	15	G 1/2" -14	M 22 x 1,5	27	14	35,0	14,0	27
XVR NW 13 HL 3/4 ED	L	PN 250	-	15	G 3/4" -14	M 22 x 1,5	32	16	38,0	15,0	32
XVR NW 16 HL 3/8 ED	L	PN 315	-	18	G 3/8" -19	M 26 x 1,5	22	12	33,5	14,0	27
XVR NW 16 HL ED	L	PN 315	-	18	G 1/2" -14	M 26 x 1,5	27	14	36,0	14,5	27
XVR NW 16 HL 3/4 ED	L	PN 250	-	18	G 3/4" -14	M 26 x 1,5	32	16	38,0	14,5	32
XVR NW 20 HL 1/2 ED	L	PN 160	-	22	G 1/2" -14	M 30 x 2	27	14	38,0	16,5	32
XVR NW 20 HL ED	L	PN 160	-	22	G 3/4" -14	M 30 x 2	32	16	40,0	16,5	32
XVR NW 20 HL 1 ED	L	PN 160	-	22	G 1" -11	M 30 x 2	40	18	42,0	16,5	41
XVR NW 25 HL 3/4 ED	L	PN 160	-	28	G 3/4" -14	M 36 x 2	32	16	41,0	17,5	41
XVR NW 25 HL ED	L	PN 160	-	28	G 1" -11	M 36 x 2	40	18	43,0	17,5	41
XVR NW 25 HL 1 1/4 ED	L	PN 160	-	28	G 1.1/4" -11	M 36 x 2	50	20	46,0	18,5	50
XVR NW 32 HL 1 ED	L	PN 160	-	35	G 1" -11	M 45 x 2	40	18	46,0	17,5	50
XVR NW 32 HL ED	L	PN 160	-	35	G 1.1/4" -11	M 45 x 2	50	20	48,0	17,5	50
XVR NW 32 HL 1 1/2 ED	L	PN 160	30	35	G 1.1/2" -11	M 45 x 2	55	22	52,0	19,5	55
XVR NW 40 HL 1 1/4 ED	L	PN 160	-	42	G 1.1/4" -11	M 52 x 2	50	20	50,0	19,0	55
XVR NW 40 HL ED	L	PN 160	-	42	G 1.1/2" -11	M 52 x 2	55	22	52,0	19,0	55
XVR NW 03 HS ED	S	PN 630	-	6	G 1/4" -19	M 14 x 1,5	19	12	32,0	13,0	19
XVR NW 03 HS 1/2 ED	S	PN 630	-	6	G 1/2" -14	M 14 x 1,5	27	14	39,0	18,0	27
XVR NW 04 HS ED	S	PN 630	-	8	G 1/4" -19	M 16 x 1,5	19	12	34,0	15,0	19
XVR NW 04 HS 3/8 ED	S	PN 630	-	8	G 3/8" -19	M 16 x 1,5	22	12	34,5	15,5	22
XVR NW 06 HS 1/4 ED	S	PN 630	-	10	G 1/4" -19	M 18 x 1,5	19	12	34,0	14,5	22



Articolo

Denominazione	Serie	Pressione d'esercizio in bar:	Ø d1 (mm)	Ø d2 (mm)	G1	G2	Ø d3 (mm)	i (mm)	L1 (mm)	L2 (mm)	SW (mm)
XVR NW 06 HS ED	S	PN 630	-	10	G 3/8" -19	M 18 x 1,5	22	12	34,5	15,0	22
XVR NW 06 HS 1/2 ED	S	PN 630	-	10	G 1/2" -14	M 18 x 1,5	27	14	39,0	17,5	27
XVR NW 08 HS 1/4 ED	S	PN 630	-	12	G 1/4" -19	M 20 x 1,5	19	12	36,0	16,5	22
XVR NW 08 HS ED	S	PN 630	-	12	G 3/8" -19	M 20 x 1,5	22	12	36,5	17,0	22
XVR NW 08 HS 1/2 ED	S	PN 630	-	12	G 1/2" -14	M 20 x 1,5	27	14	39,0	17,5	27
XVR NW 10 HS 3/8 ED	S	PN 630	-	14	G 3/8" -19	M 22 x 1,5	22	12	38,5	18,5	27
XVR NW 10 HS ED	S	PN 630	-	14	G 1/2" -14	M 22 x 1,5	27	14	41,0	19,0	27
XVR NW 10 HS 3/4 ED	S	PN 630	-	14	G 3/4" -14	M 22 x 1,5	32	16	45,0	21,0	32
XVR NW 13 HS 3/8 ED	S	PN 400	-	16	G 3/8" -19	M 24 x 1,5	22	12	38,5	18,0	27
XVR NW 13 HS ED	S	PN 400	-	16	G 1/2" -14	M 24 x 1,5	27	14	41,0	18,5	27
XVR NW 13 HS 3/4 ED	S	PN 400	-	16	G 3/4" -14	M 24 x 1,5	32	16	45,0	20,5	32
XVR NW 13 HS 1 ED	S	PN 400	-	16	G 1"	M 24 x 1,5	39	18	45,5	18,8	41
XVR NW 16 HS 1/2 ED	S	PN 400	-	20	G 1/2" -14	M 30 x 2	27	14	45,0	20,5	32
XVR NW 16 HS ED	S	PN 400	-	20	G 3/4" -14	M 30 x 2	32	16	47,0	20,5	32
XVR NW 16 HS 1 ED	S	PN 400	-	20	G 1" -11	M 30 x 2	40	18	51,0	22,5	41
XVR NW 20 HS 1/2 ED	S	PN 400	-	25	G 1/2" -14	M 36 x 2	27	14	49,0	23,0	41
XVR NW 20 HS 3/4 ED	S	PN 400	-	25	G 3/4" -14	M 36 x 2	32	16	51,0	23,0	41
XVR NW 20 HS ED	S	PN 400	-	25	G 1" -11	M 36 x 2	40	18	53,0	23,0	41
XVR NW 25 HS 1 ED	S	PN 400	-	30	G 1" -11	M 42 x 2	40	18	55,0	23,5	50
XVR NW 25 HS ED	S	PN 400	-	30	G 1.1/4" -11	M 42 x 2	50	20	57,0	23,5	50
XVR NW 32 HS 1 1/4 ED	S	PN 315	-	38	G 1.1/4" -11	M 52 x 2	50	20	62,0	26,0	55
XVR NW 32 HS ED	S	PN 315	-	38	G 1.1/2" -11	M 52 x 2	55	22	64,0	26,0	55

Serie: LL = molto leggero L = leggero S = pesante - PN = pressione nominale PB = massima pressione d'esercizio - Ø d2 = diametro esterno del tubo

Varianti dei prodotti

XVR ED VA	Raccordo filettato maschio, Acciaio inossidabile
VR ED	Raccordo filettato maschio, Acciaio

Parti di ricambio

WD	Tenuta morbida per raccordi filettati ED
----	--