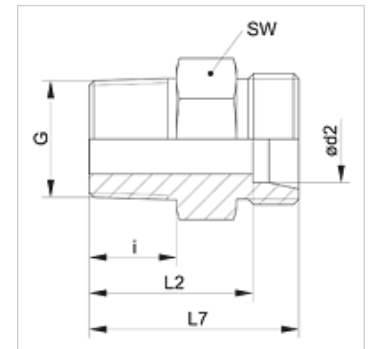


Caratteristiche

Attacco 1	Filetto esterno BSPT conico
Tenuta 1	con guarnizione filetto
Attacco 2	Filetto esterno metrico cilindrico
Tenuta 2	Cono interno da 24°
Tipo	Raccordo filettato maschio
Forma costruttiva	diritto
Norma	DIN 3901
Entità della fornitura	Tronchetto (senza dado e anello di serraggio)
Materiale	Acciaio inossidabile



Nota

Le istruzioni per montaggio, installazione, pressioni e temperature d'esercizio ammesse possono essere desunte dalle informazioni tecniche per i raccordi filettati dei tubi.

Articolo

Denominazione	Serie	Pressione d'esercizio in bar:	Ø d2 (mm)	G	i (mm)	L2 (mm)	L7 (mm)	SW (mm)
XVR 04 LL VA	LL	PN 100	4	R 1/8" K	8,0	16,0	20,0	11
XVR 06 LL VA	LL	PN 100	6	R 1/8" K	8,0	14,5	20,0	11
XVR 06 LL 1/4 VA	LL	PN 100	6	R 1/4" K	12,0	14,5	20,0	12
XVR 08 LL 1/4 VA	LL	PN 100	8	R 1/4" K	12,0	20,5	26,0	14
XVR 08 LL VA	LL	PN 100	8	R 1/8" K	8,0	16,5	22,0	12
XVRK NW 04 HL VA	L	PN 315	6	R 1/8" K	10,5	17,5	24,5	12
XVRK NW 04 HL 1/4 VA	L	PN 315	6	R 1/4" K	14,0	22,0	29,0	17
XVRK NW 04 HL 3/8 VA	L	PN 315	6	R 1/2" K	14,5	23,5	30,5	19
XVRK NW 04 HL 1/2 VA	L	PN 315	6	R 1/2" K	18,5	27,5	34,5	22
XVRK NW 06 HL 1/8 VA	L	PN 315	8	R 1/8" K	10,5	18,5	25,5	14
XVRK NW 06 HL VA	L	PN 315	8	R 1/4" K	14,0	22,0	29,0	17
XVRK NW 06 HL 3/8 VA	L	PN 315	8	R 3/8" K	14,5	22,5	30,5	19
XVRK NW 06 HL 1/2 VA	L	PN 315	8	R 1/2" K	18,5	27,5	34,5	22
XVRK NW 08 HL VA	L	PN 315	10	R 1/4" K	14,0	23,0	30,0	17
XVRK NW 08 HL 1/8 VA	L	PN 315	10	R 1/8" K	10,5	19,5	26,5	17
XVRK NW 08 HL 3/8 VA	L	PN 315	10	R 3/8" K	14,5	24,5	31,5	19
XVRK NW 08 HL 1/2 VA	L	PN 315	10	R 1/2" K	18,5	28,5	35,5	22
XVRK NW 10 HL VA	L	PN 315	12	R 3/8" K	14,5	24,5	31,5	19
XVRK NW 10 HL 1/8 VA	L	PN 315	12	R 1/8" K	10,5	20,5	27,5	19
XVRK NW 10 HL 1/4 VA	L	PN 315	12	R 1/4" K	14,0	24,0	31,0	19
XVRK NW 10 HL 1/2 VA	L	PN 315	12	R 1/2" K	18,5	28,5	35,5	24
XVRK NW 10 HL 3/4 VA	L	PN 315	12	R 3/4" K	20,0	31,0	38,0	32
XVRK NW 13 HL 1/4 VA	L	PN 315	15	R 1/4" K	14,0	25,0	32,0	24
XVRK NW 13 HL VA	L	PN 315	15	R 1/2" K	18,5	29,5	36,5	24
XVRK NW 13 HL 3/8 VA	L	PN 315	15	R 3/8" K	14,5	25,5	24,0	33
XVRK NW 13 HL 3/4 VA	L	PN 315	15	R 3/4" K	20,0	32,0	39,0	32
XVRK NW 16 HL VA	L	PN 315	18	R 1/2" K	18,5	30,0	37,5	27
XVRK NW 16 HL 3/8 VA	L	PN 315	18	R 3/8" K	14,5	26,0	33,5	27
XVRK NW 16 HL 3/4 VA	L	PN 160	18	R 3/4" K	20,0	31,5	39,0	32
XVRK NW 20 HL 3/8 VA	L	PN 160	22	R 3/8" K	14,5	28,0	35,5	32
XVRK NW 20 HL VA	L	PN 160	22	R 3/4" K	20,0	33,5	41,0	32
XVRK NW 20 HL 1/2 VA	L	PN 160	22	R 1/2" K	18,5	32,0	39,5	32
XVRK NW 20 HL 1 VA	L	PN 160	22	R 1" K	24,0	38,5	46,0	41
XVRK NW 25 HL 1/2 VA	L	PN 160	28	R 1/2" K	18,5	33,0	40,5	41
XVRK NW 25 HL 3/4 VA	L	PN 160	28	R 3/4" K	20,0	34,5	42,0	41
XVRK NW 25 HL VA	L	PN 160	28	R 1" K	24,0	38,5	46,0	41
XVRK NW 25 HL 1 1/4 VA	L	PN 160	28	R 1.1/4" K	26,0	43,5	51,0	46
XVRK NW 32 HL VA	L	PN 160	35	R 1.1/4" K	26,0	42,5	53,0	46
XVRK NW 32 HL 1 VA	L	PN 160	35	R 1" K	24,0	40,5	51,0	46
XVRK NW 40 HL VA	L	PN 160	42	R 1.1/2" K	27,0	43,0	54,0	55
XVRK NW 40 HL 1 1/4 VA	L	PN 160	42	R 1.1/4" K	26,0	42,0	53,0	55
XVRK NW 03 HS VA	S	PN 400	6	R 1/4" K	14,0	27,0	34,0	17



Articolo

Denominazione	Serie	Pressione d'esercizio in bar:	Ø d2 (mm)	G	i (mm)	L2 (mm)	L7 (mm)	SW (mm)
XVRK NW 04 HS VA	S	PN 400	8	R 1/4" K	14,0	27,0	34,0	17
XVRK NW 04 HS 3/8 VA	S	PN 160	8	R 3/8" K	14,5	27,5	34,5	19
XVRK NW 06 HS VA	S	PN 400	10	R 3/8" K	14,5	27,0	34,5	19
XVRK NW 06 HS 1/4 VA	S	PN 400	10	R 1/4" K	14,0	26,5	34,0	19
XVRK NW 08 HS VA	S	PN 400	12	R 3/8" K	14,5	29,0	36,5	22
XVRK NW 08 HS 1/2 VA	S	PN 400	12	R 1/2" K	18,5	33,0	40,5	22
XVRK NW 10 HS VA	S	PN 400	14	R 1/2" K	18,5	34,5	42,5	24
XVRK NW 13 HS VA	S	PN 400	16	R 1/2" K	18,5	34,0	42,5	27
XVRK NW 16 HS VA	S	PN 400	20	R 3/4" K	20,0	37,5	48,0	32
XVRK NW 16 HS 1/2 VA	S	PN 400	20	R 1/2" K	18,5	36,0	46,5	32
XVRK NW 20 HS VA	S	PN 400	25	R 1" K	24,0	43,0	55,0	41
XVRK NW 25 HS VA	S	PN 250	30	R 1.1/4" K	26,0	45,5	59,0	46

Serie: LL = molto leggero L = leggero S = pesante - PN = pressione nominale PB = massima pressione d'esercizio - Ø d2 = diametro esterno del tubo

Varianti dei prodotti

XVRK	Raccordo filettato maschio, Acciaio
VRK VA	Raccordo filettato maschio, Acciaio inossidabile