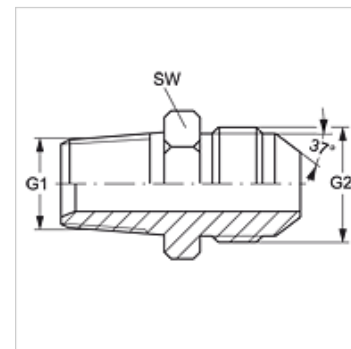


# GE HN HJ

## Manicotto filettato maschio

### Caratteristiche

|                         |                                |
|-------------------------|--------------------------------|
| Attacco 1               | Filetto esterno NPT            |
| Tenuta 1                | con guarnizione filetto        |
| Attacco 2               | Filetto esterno UN/UNF         |
| Tenuta 2                | Cono esterno da 74°            |
| Tipo                    | Manicotto filettato maschio    |
| Forma costruttiva       | diritto                        |
| Materiale               | Acciaio                        |
| Protezione superficiale | con rivestimento elettrolitico |



### Articolo

| Denominazione  | G1               | G2             | SW (mm) |
|----------------|------------------|----------------|---------|
| GE HN 02 HJ 03 | 1/8" -27 NPT     | 3/8" -24 UNF   | 12      |
| GE HN 02 HJ 04 | 1/8" -27 NPT     | 7/16" -20 UNF  | 12      |
| GE HN 02 HJ 05 | 1/8" -27 NPT     | 1/2" -20 UNF   | 14      |
| GE HN 02 HJ 06 | 1/8" -27 NPT     | 9/16" -18 UNF  | 17      |
| GE HN 02 HJ 08 | 1/8" -27 NPT     | 3/4" -16 UNF   | 19      |
| GE HN 04 HJ    | 1/4" -18 NPT     | 7/16" -20 UNF  | 14      |
| GE HN 04 HJ 05 | 1/4" -18 NPT     | 1/2" -20 UNF   | 14      |
| GE HN 04 HJ 06 | 1/4" -18 NPT     | 9/16" -18 UNF  | 17      |
| GE HN 04 HJ 08 | 1/4" -18 NPT     | 3/4" -16 UNF   | 19      |
| GE HN 06 HJ    | 3/8" -18 NPT     | 9/16" -18 UNF  | 19      |
| GE HN 06 HJ 04 | 3/8" -18 NPT     | 7/16" -20 UNF  | 19      |
| GE HN 06 HJ 05 | 3/8" -18 NPT     | 1/2" -20 UNF   | 19      |
| GE HN 06 HJ 08 | 3/8" -18 NPT     | 3/4" -16 UNF   | 19      |
| GE HN 06 HJ 10 | 3/8" -18 NPT     | 7/8" -14 UNF   | 24      |
| GE HN 06 HJ 12 | 3/8" -18 NPT     | 1.1/16" -12 UN | 27      |
| GE HN 08 HJ 04 | 1/2" -14 NPT     | 7/16" -20 UNF  | 24      |
| GE HN 08 HJ 05 | 1/2" -14 NPT     | 1/2" -20 UNF   | 24      |
| GE HN 08 HJ 06 | 1/2" -14 NPT     | 9/16" -18 UNF  | 24      |
| GE HN 08 HJ    | 1/2" -14 NPT     | 3/4" -16 UNF   | 24      |
| GE HN 08 HJ 10 | 1/2" -14 NPT     | 7/8" -14 UNF   | 24      |
| GE HN 08 HJ 12 | 1/2" -14 NPT     | 1.1/16" -12 UN | 27      |
| GE HN 08 HJ 16 | 1/2" -14 NPT     | 1.5/16" -12 UN | 36      |
| GE HN 12 HJ 04 | 3/4" -14 NPT     | 7/16" -20 UNF  | 27      |
| GE HN 12 HJ 06 | 3/4" -14 NPT     | 9/16" -18 UNF  | 27      |
| GE HN 12 HJ 08 | 3/4" -14 NPT     | 3/4" -16 UNF   | 27      |
| GE HN 12 HJ 10 | 3/4" -14 NPT     | 7/8" -14 UNF   | 27      |
| GE HN 12 HJ    | 3/4" -14 NPT     | 1.1/16" -12 UN | 27      |
| GE HN 12 HJ 14 | 3/4" -14 NPT     | 1.3/16" -12 UN | 32      |
| GE HN 12 HJ 16 | 3/4" -14 NPT     | 1.5/16" -12 UN | 36      |
| GE HN 16 HJ    | 1" -11,5 NPT     | 1.5/16" -12 UN | 36      |
| GE HN 16 HJ 12 | 1" -11,5 NPT     | 1.1/16" -12 UN | 36      |
| GE HN 16 HJ 20 | 1" -11,5 NPT     | 1.5/8" -12 UN  | 46      |
| GE HN 16 HJ 24 | 1" -11,5 NPT     | 1.7/8" -12 UN  | 50      |
| GE HN 20 HJ 12 | 1.1/4" -11,5 NPT | 1.1/16" -12 UN | 46      |
| GE HN 20 HJ 16 | 1.1/4" -11,5 NPT | 1.5/16" -12 UN | 46      |
| GE HN 20 HJ    | 1.1/4" -11,5 NPT | 1.5/8" -12 UN  | 46      |
| GE HN 20 HJ 24 | 1.1/4" -11,5 NPT | 1.7/8" -12 UN  | 50      |
| GE HN 20 HJ 32 | 1.1/4" -11,5 NPT | 2.1/2" -12 UN  | 65      |
| GE HN 24 HJ 12 | 1.1/2" -11,5 NPT | 1.1/16" -12 UN | 50      |
| GE HN 24 HJ 16 | 1.1/2" -11,5 NPT | 1.5/16" -12 UN | 50      |
| GE HN 24 HJ 20 | 1.1/2" -11,5 NPT | 1.5/8" -12 UN  | 50      |
| GE HN 24 HJ    | 1.1/2" -11,5 NPT | 1.7/8" -12 UN  | 50      |
| GE HN 24 HJ 32 | 1.1/2" -11,5 NPT | 2.1/2" -12 UN  | 65      |
| GE HN 32 HJ 24 | 2" -11,5 NPT     | 1.7/8" -12 UN  | 65      |
| GE HN 32 HJ    | 2" -11,5 NPT     | 2.1/2" -12 UN  | 65      |

SW = apertura chiave

### Varianti dei prodotti

GE HN HJ VA Manicotto filettato maschio, Acciaio inossidabile