

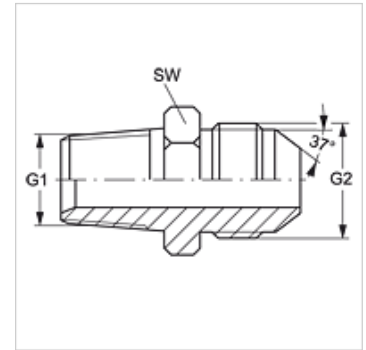
GE HRK HJ

Manicotto filettato maschio

HANSA FLEX

Caratteristiche

| | |
|-------------------------|--------------------------------|
| Attacco 1 | Filetto esterno BSPT conico |
| Tenuta 1 | con guarnizione filetto |
| Attacco 2 | Filetto esterno UN/UNF |
| Tenuta 2 | Cono esterno da 74° |
| Tipo | Manicotto filettato maschio |
| Forma costruttiva | diritto |
| Materiale | Acciaio |
| Protezione superficiale | con rivestimento elettrolitico |



Articolo

| Denominazione | G1 | G2 | SW (mm) |
|-----------------|------------|----------------|------------|
| GE HRK 02 HJ 04 | R 1/8" K | 7/16" -20 UNF | 14 |
| GE HRK 02 HJ 05 | R 1/8" K | 1/2" -20 UNF | 14 |
| GE HRK 04 HJ | R 1/4" K | 7/16" -20 UNF | 14 |
| GE HRK 04 HJ 05 | R 1/4" K | 1/2" -20 UNF | 14 |
| GE HRK 04 HJ 06 | R 1/4" K | 9/16" -18 UNF | 19 |
| GE HRK 04 HJ 08 | R 1/4" K | 3/4" -16 UNF | 22 |
| GE HRK 06 HJ 04 | R 3/8" K | 7/16" -20 UNF | 19 |
| GE HRK 06 HJ 05 | R 3/8" K | 1/2" -20 UNF | 19 |
| GE HRK 06 HJ | R 3/8" K | 9/16" -18 UNF | 19 |
| GE HRK 06 HJ 08 | R 3/8" K | 3/4" -16 UNF | 22 |
| GE HRK 06 HJ 10 | R 3/8" K | 7/8" -14 UNF | 24 |
| GE HRK 06 HJ 12 | R 3/8" K | 1.1/16" -12 UN | 27 |
| GE HRK 08 HJ 06 | R 1/2" K | 9/16" -18 UNF | 22 |
| GE HRK 08 HJ | R 1/2" K | 3/4" -16 UNF | 22 |
| GE HRK 08 HJ 10 | R 1/2" K | 7/8" -14 UNF | 24 |
| GE HRK 08 HJ 12 | R 1/2" K | 1.1/16" -12 UN | 27 |
| GE HRK 08 HJ 16 | R 1/2" K | 1.5/16" -12 UN | 36 |
| GE HRK 10 HJ | R 5/8" K | 7/8" -14 UNF | 24 |
| GE HRK 12 HJ 06 | R 3/4" K | 9/16" -18 UNF | 27 |
| GE HRK 12 HJ 08 | R 3/4" K | 3/4" -16 UNF | 27 |
| GE HRK 12 HJ 10 | R 3/4" K | 7/8" -14 UNF | 27 |
| GE HRK 12 HJ | R 3/4" K | 1.1/16" -12 UN | 27 |
| GE HRK 12 HJ 16 | R 3/4" K | 1.5/16" -12 UN | 36 |
| GE HRK 12 HJ 20 | R 3/4" K | 1.5/8" -12 UN | 46 |
| GE HRK 16 HJ 08 | R 1" K | 3/4" -16 UNF | 36 |
| GE HRK 16 HJ 10 | R 1" K | 7/8" -14 UNF | 36 |
| GE HRK 16 HJ 12 | R 1" K | 1.1/16" -12 UN | 36 |
| GE HRK 16 HJ | R 1" K | 1.5/16" -12 UN | 36 |
| GE HRK 16 HJ 20 | R 1" K | 1.5/8" -12 UN | 46 |
| GE HRK 20 HJ 12 | R 1.1/4" K | 1.1/16" -12 UN | 46 |
| GE HRK 20 HJ 16 | R 1.1/4" K | 1.5/16" -12 UN | 46 |
| GE HRK 20 HJ | R 1.1/4" K | 1.5/8" -12 UN | 46 |
| GE HRK 20 HJ 24 | R 1.1/4" K | 1.7/8" -12 UN | 50 |
| GE HRK 24 HJ 16 | R 1.1/2" K | 1.5/16" -12 UN | 50 |
| GE HRK 24 HJ 20 | R 1.1/2" K | 1.5/8" -12 UN | 50 |
| GE HRK 24 HJ | R 1.1/2" K | 1.7/8" -12 UN | 50 |
| GE HRK 24 HJ 32 | R 1.1/2" K | 2.1/2" -12 UN | 65 |
| GE HRK 32 HJ | R 2" K | 2.1/2" -12 UN | 65 |
| GE HRK 40 HJ | R 2.1/2" K | 3" -11 UN | 70 |
| GE HRK 48 HJ | R 3" K | 3.1/2" -11 UN | 80 |

SW = apertura chiave

Varianti dei prodotti

GE HRK HJ VA Manicotto filettato maschio, Acciaio inossidabile