

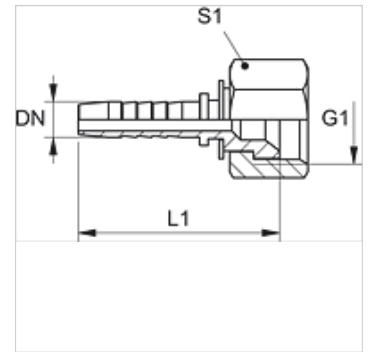
# PN AJ

Niplo a pressione, DKJ

**HANSA FLEX**

## Caratteristiche

<b>Campo di impiego</b>	Niplo a pressione per flessibili di tipo da HD 100 a HD 400, flessibili KP e TE
<b>Attacco 1</b>	Filetto interno UN/UNF
<b>Tenuta 1</b>	Cono interno da 74°
<b>Abbreviazione</b>	DKJ
<b>Norma</b>	ISO 8434-2
<b>Materiale</b>	Acciaio
<b>Protezione superficiale</b>	con rivestimento elettrolitico



## Nota

Scegliere il giunto femmina adatto in base al tipo di tubo flessibile.

## Articolo

Denominazione	DN	Size	pollice	Pressione d'esercizio (bar)	G1	L1 (mm)	S1
PN 04 AJ 06	5	3	3/16"	410,0	7/16" -20 UNF	36,0	14
PN 06 AJ	6	4	1/4"	410,0	7/16" -20 UNF	42,0	14
PN 06 AJ 08	6	4	1/4"	410,0	1/2" -20 UNF	43,0	17
PN 06 AJ 10	6	4	1/4"	350,0	9/16" -18 UNF	44,5	19
PN 06 AJ 3/8	6	4	1/4"	410,0	3/8" -24 UNF	43,5	14
PN 08 AJ	8	5	5/16"	410,0	1/2" -20 UNF	43,0	17
PN 08 AJ 10	8	5	5/16"	350,0	9/16" -18 UNF	45,0	19
PN 08 AJ 13	8	5	5/16"	345,0	3/4" -16 UNF	46,5	24
PN 10 AJ 08	10	6	3/8"	350,0	1/2" -20 UNF	47,0	17
PN 10 AJ	10	6	3/8"	350,0	9/16" -18 UNF	46,0	19
PN 10 AJ 13	10	6	3/8"	345,0	3/4" -16 UNF	48,5	24
PN 10 AJ 16	10	6	3/8"	345,0	7/8" -14 UNF	49,5	27
PN 13 AJ	12	8	1/2"	345,0	3/4" -16 UNF	48,0	24
PN 13 AJ 10	12	8	1/2"	345,0	9/16" -18 UNF	49,0	19
PN 13 AJ 16	12	8	1/2"	345,0	7/8" -14 UNF	50,5	27
PN 13 AJ 20	12	8	1/2"	345,0	1.1/16" -12 UN	51,0	32
PN 16 AJ	16	10	5/8"	345,0	7/8" -14 UNF	53,5	27
PN 16 AJ 20	16	10	5/8"	345,0	1.1/16" -12 UN	56,0	32
PN 20 AJ 14	19	12	3/4"	345,0	1.3/16" -12 UN	64,0	36
PN 20 AJ 16	19	12	3/4"	345,0	7/8" -14 UNF	62,5	27
PN 20 AJ	19	12	3/4"	345,0	1.1/16" -12 UN	63,0	32
PN 20 AJ 25	19	12	3/4"	275,0	1.5/16" -12 UN	64,0	41
PN 25 AJ 20	25	16	1"	275,0	1.1/16" -12 UN	71,0	32
PN 25 AJ	25	16	1"	275,0	1.5/16" -12 UN	72,0	41
PN 25 AJ 32	25	16	1"	200,0	1.5/8" -12 UN	74,0	50
PN 32 AJ 25	31	20	1.1/4"	200,0	1.5/16" -12 UN	83,5	41
PN 32 AJ	31	20	1.1/4"	200,0	1.5/8" -12 UN	82,0	50
PN 32 AJ 40	31	20	1.1/4"	170,0	1.7/8" -12 UN	84,0	60
PN 40 AJ 32	38	24	1.1/2"	170,0	1.5/8" -12 UN	88,0	50
PN 40 AJ	38	24	1.1/2"	170,0	1.7/8" -12 UN	87,5	60
PN 50 AJ	51	32	2"	170,0	2.1/2" -12 UN	108,0	75

## Varianti dei prodotti

PN AJ VA Niplo a pressione, DKJ, Acciaio inossidabile