

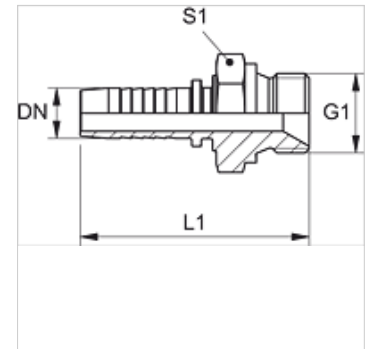
PN HB

Nipplo a pressione, AGR

HANSA FLEX

Caratteristiche

Campo di impiego	Nipplo a pressione per flessibili di tipo da HD 100 a HD 400, flessibili KP e TE
Attacco 1	Filetto esterno BSP cilindrico
Tenuta 1	Cono interno da 60°
Abbreviazione	AGR
Norma	ISO 8434-6 BS 5200
Materiale	Acciaio
Protezione superficiale	con rivestimento elettrolitico



Nota

Scegliere il giunto femmina adatto in base al tipo di tubo flessibile.

Articolo

Denominazione	DN	Size	pollice	Pressione d'esercizio (bar)	G1	L1 (mm)	S1
PN 04 HB	5	3	3/16"	350,0	G 1/8" -28	42,5	14
PN 04 HB 06	5	3	3/16"	350,0	G 1/4" -19	46,0	19
PN 06 HB 02	6	4	1/4"	350,0	G 1/8" -28	48,5	14
PN 06 HB	6	4	1/4"	400,0	G 1/4" -19	52,0	19
PN 06 HB 10	6	4	1/4"	400,0	G 3/8" -19	54,0	22
PN 06 HB 13	6	4	1/4"	350,0	G 1/2" -14	57,5	27
PN 08 HB 06	8	5	5/16"	400,0	G 1/4" -19	52,0	19
PN 08 HB 10	8	5	5/16"	400,0	G 3/8" -19	54,0	22
PN 08 HB 13	8	5	5/16"	350,0	G 1/2" -14	57,5	27
PN 10 HB 02	10	6	3/8"	350,0	G 1/8" -28	50,0	17
PN 10 HB 06	10	6	3/8"	400,0	G 1/4" -19	53,5	19
PN 10 HB	10	6	3/8"	400,0	G 3/8" -19	55,5	22
PN 10 HB 13	10	6	3/8"	350,0	G 1/2" -14	59,5	27
PN 13 HB 10	12	8	1/2"	350,0	G 3/8" -19	56,5	22
PN 13 HB	12	8	1/2"	350,0	G 1/2" -14	60,5	27
PN 13 HB 16	12	8	1/2"	350,0	G 5/8" -14	62,5	30
PN 13 HB 20	12	8	1/2"	250,0	G 3/4" -14	62,5	32
PN 16 HB 13	16	10	5/8"	350,0	G 1/2" -14	65,0	27
PN 16 HB	16	10	5/8"	35,0	G 5/8" -14	67,0	30
PN 16 HB 20	16	10	5/8"	315,0	G 3/4" -14	67,0	32
PN 20 HB	19	12	3/4"	315,0	G 3/4" -14	73,5	32
PN 20 HB 25	19	12	3/4"	250,0	G 1" -11	78,5	41
PN 25 HB	25	16	1"	250,0	G 1" -11	86,5	41
PN 25 HB 32	25	16	1"	250,0	G 1.1/4" -11	87,5	50
PN 32 HB	31	20	1.1/4"	250,0	G 1.1/4" -11	97,0	50
PN 32 HB 40	31	20	1.1/4"	210,0	G 1.1/2" -11	100,0	55
PN 40 HB 32	38	24	1.1/2"	210,0	G 1.1/4" -11	100,5	50
PN 40 HB	38	24	1.1/2"	210,0	G 1.1/2" -11	103,5	55
PN 40 HB 50	38	24	1.1/2"	210,0	G 2" -11	109,0	70
PN 50 HB	51	32	2"	210,0	G 2" -11	124,5	70

Varianti dei prodotti

PN HB VA Nipplo a pressione, AGR, Acciaio inossidabile