

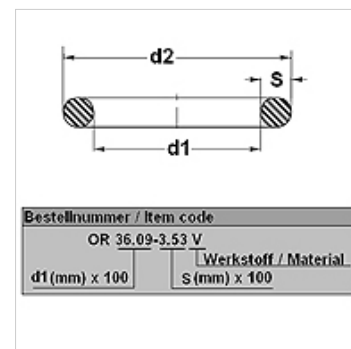
# OR 90° Shore NBR

O-ring, 90SH NBR

**HANSA FLEX**

## Caratteristiche

Tipo	O-ring
Temperatura min.	-30 °C
Temperatura max.	110 °C
Materiale	NBR 90 Shore



## Articolo

Denominazione	d1 (mm)	d2 (mm)	s (mm)
OR 1.78-1.78 N90	1,78	5,34	1,78
OR 2.4-1.9 N90	2,40	6,20	1,90
OR 2.57-1.78 N90	2,57	6,13	1,78
OR 2.6-1.9 N90	2,60	6,40	1,90
OR 2.9-1.78 N90	2,90	6,46	1,78
OR 3.17-1.78 N90	3,17	6,73	1,78
OR 3.68-1.78 N90	3,68	7,24	1,78
OR 4-2 N90	4,00	8,00	2,00
OR 4.47-1.78 N90	4,47	8,03	1,78
OR 4.76-1.78 N90	4,76	8,32	1,78
OR 4.9-1.9 N90	4,90	8,70	1,90
OR 5-1.5 N90	5,00	8,00	1,50
OR 5-2 N90	5,00	9,00	2,00
OR 5.28-1.78 N90	5,28	8,84	1,78
OR 5.7-1.9 N90	5,70	9,50	1,90
OR 6-2 N90	6,00	10,00	2,00
OR 6.07-1.78 N90	6,07	9,63	1,78
OR 6.35-1.78 N90	6,35	9,91	1,78
OR 6.4-1.9 N90	6,40	10,20	1,90
OR 6.75-1.78 N90	6,75	10,31	1,78
OR 7-1.5 N90	7,00	10,00	1,50
OR 7.2-1.9 N90	7,20	11,00	1,90
OR 7.59-2.62 N90	7,59	12,83	2,62
OR 7.65-1.78 N90	7,65	11,21	1,78
OR 7.94-1.78 N90	7,94	11,50	1,78
OR 8-1.9 N90	8,00	11,80	1,90
OR 8-2 N90	8,00	12,00	2,00
OR 8.3-2.4 N90	8,30	13,10	2,40
OR 8.73-1.78 N90	8,73	12,29	1,78
OR 8.9-1.9 N90	8,90	12,70	1,90
OR 8.9-2.7 N90	8,90	14,30	2,70
OR 9-2 N90	9,00	13,00	2,00
OR 9-2.5 N90	9,00	14,00	2,50
OR 9.19-2.62 N90	9,19	14,43	2,62
OR 9.25-1.78 N90	9,25	12,81	1,78
OR 9.3-2.4 N90	9,30	14,10	2,40
OR 9.52-1.78 N90	9,52	13,08	1,78
OR 9.9-2.62 N90	9,90	15,14	2,62
OR 10-2.5 N90	10,00	15,00	2,50
OR 10-3 N90	10,00	16,00	3,00
OR 10.3-2.4 N90	10,30	15,10	2,40
OR 10.5-1.5 N90	10,50	13,50	1,50
OR 10.5-2 N90	10,50	14,50	2,00
OR 10.5-2.7 N90	10,50	15,90	2,70
OR 10.77-2.62 N90	10,77	16,01	2,62
OR 10.82-1.78 N90	10,82	14,38	1,78
OR 11-1.5 N90	11,00	14,00	1,50
OR 11-2 N90	11,00	15,00	2,00
OR 11-2.5 N90	11,00	16,00	2,50
OR 11.11-1.78 N90	11,11	14,67	1,78



Nonostante il più attento esame non si possono escludere eventuali errori ed omissioni, non ci assumiamo alcuna responsabilità per le indicazioni contenute.

05.11.2024

HANSA-FLEX AG

www.hansa-flex.com

1

# OR 90° Shore NBR

O-ring, 90SH NBR

**HANSA FLEX**

## Articolo

Denominazione	d1 (mm)	d2 (mm)	s (mm)
OR 11.3-2.4 N90	11,30	16,10	2,40
OR 11.5-2 N90	11,50	15,50	2,00
OR 11.91-2.62 N90	11,91	17,15	2,62
OR 12-2.5 N90	12,00	17,00	2,50
OR 12-3 N90	12,00	18,00	3,00
OR 12.1-2.7 N90	12,10	17,50	2,70
OR 12.3-2.4 N90	12,30	17,10	2,40
OR 12.37-2.62 N90	12,37	17,61	2,62
OR 12.42-1.78 N90	12,42	15,98	1,78
OR 13-1 N90	13,00	15,00	1,00
OR 13-2.5 N90	13,00	18,00	2,50
OR 13-3 N90	13,00	19,00	3,00
OR 13.3-2.4 N90	13,30	18,10	2,40
OR 13.6-2.7 N90	13,60	19,00	2,70
OR 13.94-2.62 N90	13,94	19,18	2,62
OR 14-1.5 N90	14,00	17,00	1,50
OR 14-1.78 N90	14,00	17,56	1,78
OR 14-2 N90	14,00	18,00	2,00
OR 14-2.5 N90	14,00	19,00	2,50
OR 14-3 N90	14,00	20,00	3,00
OR 14.1-1.6 N90	14,10	17,30	1,60
OR 14.3-2.4 N90	14,30	19,10	2,40
OR 15-2.5 N90	15,00	20,00	2,50
OR 15-3 N90	15,00	21,00	3,00
OR 15.08-2.62 N90	15,08	20,32	2,62
OR 15.1-2.7 N90	15,10	20,50	2,70
OR 15.47-3.53 N90	15,47	22,53	3,53
OR 15.54-2.62 N90	15,54	20,78	2,62
OR 15.6-1.78 N90	15,60	19,16	1,78
OR 15.88-2.62 N90	15,88	21,12	2,62
OR 16-2 N90	16,00	20,00	2,00
OR 16-3 N90	16,00	22,00	3,00
OR 16.3-2.4 N90	16,30	21,10	2,40
OR 16.9-2.7 N90	16,90	22,30	2,70
OR 17-1.5 N90	17,00	20,00	1,50
OR 17-2 N90	17,00	21,00	2,00
OR 17-2.5 N90	17,00	22,00	2,50
OR 17-3 N90	17,00	23,00	3,00
OR 17.04-3.53 N90	17,04	24,10	3,53
OR 17.12-2.62 N90	17,12	22,36	2,62
OR 17.17-1.78 N90	17,17	20,73	1,78
OR 17.3-2.4 N90	17,30	22,10	2,40
OR 17.86-2.62 N90	17,86	23,10	2,62
OR 18-2 N90	18,00	22,00	2,00
OR 18-2.5 N90	18,00	23,00	2,50
OR 18-3 N90	18,00	24,00	3,00
OR 18.3-2.4 N90	18,30	23,10	2,40
OR 18.3-3.6 N90	18,30	25,50	3,60
OR 18.4-2.7 N90	18,40	23,80	2,70
OR 18.5-2 N90	18,50	22,50	2,00
OR 18.64-3.53 N90	18,64	25,70	3,53
OR 18.72-2.62 N90	18,72	23,96	2,62
OR 18.77-1.78 N90	18,77	22,33	1,78
OR 19-3 N90	19,00	25,00	3,00
OR 19.2-3 N90	19,20	25,20	3,00
OR 19.3-2.4 N90	19,30	24,10	2,40
OR 19.5-2.5 N90	19,50	24,50	2,50
OR 19.8-3.6 N90	19,80	27,00	3,60
OR 20-3 N90	20,00	26,00	3,00
OR 20-3.5 N90	20,00	27,00	3,50
OR 20-4 N90	20,00	28,00	4,00
OR 20.22-3.53 N90	20,22	27,28	3,53
OR 20.3-2.4 N90	20,30	25,10	2,40



Nonostante il più attento esame non si possono escludere eventuali errori ed omissioni, non ci assumiamo alcuna responsabilità per le indicazioni contenute.

05.11.2024

HANSA-FLEX AG

[www.hansa-flex.com](http://www.hansa-flex.com)

2

# OR 90° Shore NBR

O-ring, 90SH NBR

## Articolo

Denominazione	d1 (mm)	d2 (mm)	s (mm)
OR 20.3-2.62 N90	20,30	25,54	2,62
OR 20.35-1.78 N90	20,35	23,91	1,78
OR 20.5-2.4 N90	20,50	25,30	2,40
OR 21-2 N90	21,00	25,00	2,00
OR 21-2.5 N90	21,00	26,00	2,50
OR 21-3 N90	21,00	27,00	3,00
OR 21-4 N90	21,00	29,00	4,00
OR 21.3-2.4 N90	21,30	26,10	2,40
OR 21.3-3.6 N90	21,30	28,50	3,60
OR 21.82-3.53 N90	21,82	28,88	3,53
OR 21.89-2.62 N90	21,89	27,13	2,62
OR 21.95-1.78 N90	21,95	25,51	1,78
OR 22-2 N90	22,00	26,00	2,00
OR 22-3 N90	22,00	28,00	3,00
OR 22-4 N90	22,00	30,00	4,00
OR 22.23-2.62 N90	22,23	27,47	2,62
OR 22.3-2.4 N90	22,30	27,10	2,40
OR 23-2 N90	23,00	27,00	2,00
OR 23-2.5 N90	23,00	28,00	2,50
OR 23-3 N90	23,00	29,00	3,00
OR 23-3.6 N90	23,00	30,20	3,60
OR 23.3-2.4 N90	23,30	28,10	2,40
OR 23.39-3.53 N90	23,39	30,45	3,53
OR 23.47-2.62 N90	23,47	28,71	2,62
OR 23.5-3 N90	23,50	29,50	3,00
OR 23.52-1.78 N90	23,52	27,08	1,78
OR 24-2 N90	24,00	28,00	2,00
OR 24-2.5 N90	24,00	29,00	2,50
OR 24-3 N90	24,00	30,00	3,00
OR 24-4 N90	24,00	32,00	4,00
OR 24.6-3.6 N90	24,60	31,80	3,60
OR 24.99-3.53 N90	24,99	32,05	3,53
OR 25-2 N90	25,00	29,00	2,00
OR 25-2.4 N90	25,00	29,80	2,40
OR 25-3 N90	25,00	31,00	3,00
OR 25-4 N90	25,00	33,00	4,00
OR 25-5 N90	25,00	35,00	5,00
OR 25.07-2.62 N90	25,07	30,31	2,62
OR 25.12-1.78 N90	25,12	28,68	1,78
OR 25.3-2.4 N90	25,30	30,10	2,40
OR 25.8-3.53 N90	25,80	32,86	3,53
OR 26-2.5 N90	26,00	31,00	2,50
OR 26-3 N90	26,00	32,00	3,00
OR 26-4 N90	26,00	34,00	4,00
OR 26-5 N90	26,00	36,00	5,00
OR 26.2-3.6 N90	26,20	33,40	3,60
OR 26.57-3.53 N90	26,57	33,63	3,53
OR 26.64-2.62 N90	26,64	31,88	2,62
OR 26.7-1.78 N90	26,70	30,26	1,78
OR 27-2 N90	27,00	31,00	2,00
OR 27-3 N90	27,00	33,00	3,00
OR 27.3-2.4 N90	27,30	32,10	2,40
OR 27.8-3.6 N90	27,80	35,00	3,60
OR 28-2 N90	28,00	32,00	2,00
OR 28-2.5 N90	28,00	33,00	2,50
OR 28-3 N90	28,00	34,00	3,00
OR 28-4 N90	28,00	36,00	4,00
OR 28-5 N90	28,00	38,00	5,00
OR 28.17-3.53 N90	28,17	35,23	3,53
OR 28.24-2.62 N90	28,24	33,48	2,62
OR 28.3-1.78 N90	28,30	31,86	1,78
OR 29-2 N90	29,00	33,00	2,00
OR 29-2.5 N90	29,00	34,00	2,50



Nonostante il più attento esame non si possono escludere eventuali errori ed omissioni, non ci assumiamo alcuna responsabilità per le indicazioni contenute.

# OR 90° Shore NBR

O-ring, 90SH NBR

**HANSA FLEX**

## Articolo

Denominazione	d1 (mm)	d2 (mm)	s (mm)
OR 29-3 N90	29,00	35,00	3,00
OR 29.3-3.6 N90	29,30	36,50	3,60
OR 29.6-2.4 N90	29,60	34,40	2,40
OR 29.74-3.53 N90	29,74	36,80	3,53
OR 29.82-2.62 N90	29,82	35,06	2,62
OR 29.87-1.78 N90	29,87	33,43	1,78
OR 30-2 N90	30,00	34,00	2,00
OR 30-2.5 N90	30,00	35,00	2,50
OR 30-3 N90	30,00	36,00	3,00
OR 30-4 N90	30,00	38,00	4,00
OR 30-5 N90	30,00	40,00	5,00
OR 30.3-2.4 N90	30,30	35,10	2,40
OR 30.8-3.6 N90	30,80	38,00	3,60
OR 31-2 N90	31,00	35,00	2,00
OR 31-2.5 N90	31,00	36,00	2,50
OR 31-3 N90	31,00	37,00	3,00
OR 31-4 N90	31,00	39,00	4,00
OR 31.12-5.34 N90	31,12	41,80	5,34
OR 31.34-3.53 N90	31,34	38,40	3,53
OR 31.42-2.62 N90	31,42	36,66	2,62
OR 31.47-1.78 N90	31,47	35,03	1,78
OR 32-2 N90	32,00	36,00	2,00
OR 32-3 N90	32,00	38,00	3,00
OR 32-3.5 N90	32,00	39,00	3,50
OR 32-4 N90	32,00	40,00	4,00
OR 32-5 N90	32,00	42,00	5,00
OR 32.5-3.6 N90	32,50	39,70	3,60
OR 32.69-5.34 N90	32,69	43,37	5,34
OR 32.92-3.53 N90	32,92	39,98	3,53
OR 32.99-2.62 N90	32,99	38,23	2,62
OR 33-2 N90	33,00	37,00	2,00
OR 33-3 N90	33,00	39,00	3,00
OR 33.05-1.78 N90	33,05	36,61	1,78
OR 33.3-2.4 N90	33,30	38,10	2,40
OR 34-2 N90	34,00	38,00	2,00
OR 34-2.5 N90	34,00	39,00	2,50
OR 34-3 N90	34,00	40,00	3,00
OR 34-4 N90	34,00	42,00	4,00
OR 34.1-3.6 N90	34,10	41,30	3,60
OR 34.29-5.34 N90	34,29	44,97	5,34
OR 34.52-3.53 N90	34,52	41,58	3,53
OR 34.59-2.62 N90	34,59	39,83	2,62
OR 34.65-1.78 N90	34,65	38,21	1,78
OR 35-2 N90	35,00	39,00	2,00
OR 35-2.5 N90	35,00	40,00	2,50
OR 35-3 N90	35,00	41,00	3,00
OR 35-4 N90	35,00	43,00	4,00
OR 35-5 N90	35,00	45,00	5,00
OR 35.6-3.6 N90	35,60	42,80	3,60
OR 36-2 N90	36,00	40,00	2,00
OR 36-2.5 N90	36,00	41,00	2,50
OR 36-3 N90	36,00	42,00	3,00
OR 36-4 N90	36,00	44,00	4,00
OR 36-5 N90	36,00	46,00	5,00
OR 36.09-3.53 N90	36,09	43,15	3,53
OR 36.17-2.62 N90	36,17	41,41	2,62
OR 36.27-1.78 N90	36,27	39,83	1,78
OR 37-2 N90	37,00	41,00	2,00
OR 37-2.5 N90	37,00	42,00	2,50
OR 37-3 N90	37,00	43,00	3,00
OR 37-4 N90	37,00	45,00	4,00
OR 37.3-3.6 N90	37,30	44,50	3,60
OR 37.47-5.34 N90	37,47	48,15	5,34



Nonostante il più attento esame non si possono escludere eventuali errori ed omissioni, non ci assumiamo alcuna responsabilità per le indicazioni contenute.

# OR 90° Shore NBR

O-ring, 90SH NBR

## Articolo

Denominazione	d1 (mm)	d2 (mm)	s (mm)
OR 37.69-3.53 N90	37,69	44,75	3,53
OR 37.77-2.62 N90	37,77	43,01	2,62
OR 37.82-1.78 N90	37,82	41,38	1,78
OR 38-2 N90	38,00	42,00	2,00
OR 38-3 N90	38,00	44,00	3,00
OR 38-4 N90	38,00	46,00	4,00
OR 38-5 N90	38,00	48,00	5,00
OR 39-2.5 N90	39,00	44,00	2,50
OR 39-3 N90	39,00	45,00	3,00
OR 39-4 N90	39,00	47,00	4,00
OR 39.2-5.7 N90	39,20	50,60	5,70
OR 39.34-2.62 N90	39,34	44,58	2,62
OR 39.45-1.78 N90	39,45	43,01	1,78
OR 39.7-3.53 N90	39,70	46,76	3,53
OR 40-2 N90	40,00	44,00	2,00
OR 40-2.5 N90	40,00	45,00	2,50
OR 40-3 N90	40,00	46,00	3,00
OR 40-4 N90	40,00	48,00	4,00
OR 40-5 N90	40,00	50,00	5,00
OR 40.64-5.34 N90	40,64	51,32	5,34
OR 40.87-3.53 N90	40,87	47,93	3,53
OR 40.94-2.62 N90	40,94	46,18	2,62
OR 41-1.78 N90	41,00	44,56	1,78
OR 41-2.5 N90	41,00	46,00	2,50
OR 41-3 N90	41,00	47,00	3,00
OR 41-3.5 N90	41,00	48,00	3,50
OR 41-4 N90	41,00	49,00	4,00
OR 41.28-3.53 N90	41,28	48,34	3,53
OR 42-2 N90	42,00	46,00	2,00
OR 42-2.5 N90	42,00	47,00	2,50
OR 42-3 N90	42,00	48,00	3,00
OR 42-3.5 N90	42,00	49,00	3,50
OR 42-4 N90	42,00	50,00	4,00
OR 42-5 N90	42,00	52,00	5,00
OR 42.52-2.62 N90	42,52	47,76	2,62
OR 42.86-3.53 N90	42,86	49,92	3,53
OR 43-2 N90	43,00	47,00	2,00
OR 43-3 N90	43,00	49,00	3,00
OR 43-3.5 N90	43,00	50,00	3,50
OR 43-4 N90	43,00	51,00	4,00
OR 43.82-5.34 N90	43,82	54,50	5,34
OR 44-2 N90	44,00	48,00	2,00
OR 44-2.5 N90	44,00	49,00	2,50
OR 44-3 N90	44,00	50,00	3,00
OR 44-3.5 N90	44,00	51,00	3,50
OR 44-4 N90	44,00	52,00	4,00
OR 44-6 N90	44,00	56,00	6,00
OR 44.04-3.53 N90	44,04	51,10	3,53
OR 44.12-2.62 N90	44,12	49,36	2,62
OR 44.17-1.78 N90	44,17	47,73	1,78
OR 44.45-3.53 N90	44,45	51,51	3,53
OR 45-2 N90	45,00	49,00	2,00
OR 45-2.5 N90	45,00	50,00	2,50
OR 45-3 N90	45,00	51,00	3,00
OR 45-4 N90	45,00	53,00	4,00
OR 45-5 N90	45,00	55,00	5,00
OR 45.69-2.62 N90	45,69	50,93	2,62
OR 46-2 N90	46,00	50,00	2,00
OR 46-2.5 N90	46,00	51,00	2,50
OR 46-3 N90	46,00	52,00	3,00
OR 46-4 N90	46,00	54,00	4,00
OR 46-5 N90	46,00	56,00	5,00
OR 46.04-3.53 N90	46,04	53,10	3,53



Nonostante il più attento esame non si possono escludere eventuali errori ed omissioni, non ci assumiamo alcuna responsabilità per le indicazioni contenute.

# OR 90° Shore NBR

O-ring, 90SH NBR

**HANSA FLEX**

## Articolo

Denominazione	d1 (mm)	d2 (mm)	s (mm)
OR 46.99-5.34 N90	46,99	57,67	5,34
OR 47-2 N90	47,00	51,00	2,00
OR 47-2.5 N90	47,00	52,00	2,50
OR 47-3 N90	47,00	53,00	3,00
OR 47-4 N90	47,00	55,00	4,00
OR 47.22-3.53 N90	47,22	54,28	3,53
OR 47.29-2.62 N90	47,29	52,53	2,62
OR 47.35-1.78 N90	47,35	50,91	1,78
OR 47.62-3.53 N90	47,62	54,68	3,53
OR 48-2 N90	48,00	52,00	2,00
OR 48-2.5 N90	48,00	53,00	2,50
OR 48-3 N90	48,00	54,00	3,00
OR 48-4 N90	48,00	56,00	4,00
OR 48-5 N90	48,00	58,00	5,00
OR 48.9-2.62 N90	48,90	54,14	2,62
OR 49-2.5 N90	49,00	54,00	2,50
OR 49-3 N90	49,00	55,00	3,00
OR 49-4 N90	49,00	57,00	4,00
OR 49.2-3.53 N90	49,20	56,26	3,53
OR 49.2-5.7 N90	49,20	60,60	5,70
OR 50-2 N90	50,00	54,00	2,00
OR 50-2.5 N90	50,00	55,00	2,50
OR 50-3 N90	50,00	56,00	3,00
OR 50-5 N90	50,00	60,00	5,00
OR 50.17-5.34 N90	50,17	60,85	5,34
OR 50.39-3.53 N90	50,39	57,45	3,53
OR 50.47-2.62 N90	50,47	55,71	2,62
OR 50.52-1.78 N90	50,52	54,08	1,78
OR 52-3 N90	52,00	58,00	3,00
OR 52-4 N90	52,00	60,00	4,00
OR 52-5 N90	52,00	62,00	5,00
OR 52.07-2.62 N90	52,07	57,31	2,62
OR 52.3-5.7 N90	52,30	63,70	5,70
OR 52.4-3.53 N90	52,40	59,46	3,53
OR 53-2 N90	53,00	57,00	2,00
OR 53-2.5 N90	53,00	58,00	2,50
OR 53-3 N90	53,00	59,00	3,00
OR 53-5 N90	53,00	63,00	5,00
OR 53.34-5.34 N90	53,34	64,02	5,34
OR 53.57-3.53 N90	53,57	60,63	3,53
OR 53.64-2.62 N90	53,64	58,88	2,62
OR 53.7-1.78 N90	53,70	57,26	1,78
OR 54-2 N90	54,00	58,00	2,00
OR 54-2.5 N90	54,00	59,00	2,50
OR 54-3 N90	54,00	60,00	3,00
OR 54-4 N90	54,00	62,00	4,00
OR 54.2-5.7 N90	54,20	65,60	5,70
OR 55-2 N90	55,00	59,00	2,00
OR 55-2.5 N90	55,00	60,00	2,50
OR 55-3 N90	55,00	61,00	3,00
OR 55-3.5 N90	55,00	62,00	3,50
OR 55-4 N90	55,00	63,00	4,00
OR 55-5 N90	55,00	65,00	5,00
OR 55.25-2.62 N90	55,25	60,49	2,62
OR 55.56-3.53 N90	55,56	62,62	3,53
OR 56-2.5 N90	56,00	61,00	2,50
OR 56-3 N90	56,00	62,00	3,00
OR 56-4 N90	56,00	64,00	4,00
OR 56.52-5.34 N90	56,52	67,20	5,34
OR 56.74-3.53 N90	56,74	63,80	3,53
OR 56.82-2.62 N90	56,82	62,06	2,62
OR 56.87-1.78 N90	56,87	60,43	1,78
OR 57-2.5 N90	57,00	62,00	2,50



Nonostante il più attento esame non si possono escludere eventuali errori ed omissioni, non ci assumiamo alcuna responsabilità per le indicazioni contenute.

05.11.2024

HANSA-FLEX AG

[www.hansa-flex.com](http://www.hansa-flex.com)

6

# OR 90° Shore NBR

O-ring, 90SH NBR

## Articolo

Denominazione	d1 (mm)	d2 (mm)	s (mm)
OR 57-3 N90	57,00	63,00	3,00
OR 57.15-3.53 N90	57,15	64,21	3,53
OR 58-2 N90	58,00	62,00	2,00
OR 58-3 N90	58,00	64,00	3,00
OR 58-4 N90	58,00	66,00	4,00
OR 58.42-2.62 N90	58,42	63,66	2,62
OR 58.74-3.53 N90	58,74	65,80	3,53
OR 59-2.5 N90	59,00	64,00	2,50
OR 59-3 N90	59,00	65,00	3,00
OR 59.2-5.7 N90	59,20	70,60	5,70
OR 59.5-3 N90	59,50	65,50	3,00
OR 59.69-5.34 N90	59,69	70,37	5,34
OR 59.92-3.53 N90	59,92	66,98	3,53
OR 59.99-2.62 N90	59,99	65,23	2,62
OR 60-2 N90	60,00	64,00	2,00
OR 60-2.5 N90	60,00	65,00	2,50
OR 60-3 N90	60,00	66,00	3,00
OR 60-4 N90	60,00	68,00	4,00
OR 60-5 N90	60,00	70,00	5,00
OR 60.05-1.78 N90	60,05	63,61	1,78
OR 60.32-3.53 N90	60,32	67,38	3,53
OR 61.2-5.7 N90	61,20	72,60	5,70
OR 61.9-3.53 N90	61,90	68,96	3,53
OR 62-2 N90	62,00	66,00	2,00
OR 62-2.5 N90	62,00	67,00	2,50
OR 62-3 N90	62,00	68,00	3,00
OR 62-3.5 N90	62,00	69,00	3,50
OR 62-4 N90	62,00	70,00	4,00
OR 62-5 N90	62,00	72,00	5,00
OR 62.3-5.7 N90	62,30	73,70	5,70
OR 62.87-5.34 N90	62,87	73,55	5,34
OR 63-2 N90	63,00	67,00	2,00
OR 63-2.5 N90	63,00	68,00	2,50
OR 63-3 N90	63,00	69,00	3,00
OR 63-4 N90	63,00	71,00	4,00
OR 63.09-3.53 N90	63,09	70,15	3,53
OR 63.17-2.62 N90	63,17	68,41	2,62
OR 63.22-1.78 N90	63,22	66,78	1,78
OR 64-3 N90	64,00	70,00	3,00
OR 64-4 N90	64,00	72,00	4,00
OR 64-5 N90	64,00	74,00	5,00
OR 64.3-5.7 N90	64,30	75,70	5,70
OR 64.77-2.62 N90	64,77	70,01	2,62
OR 65-2 N90	65,00	69,00	2,00
OR 65-3 N90	65,00	71,00	3,00
OR 65-3.5 N90	65,00	72,00	3,50
OR 65-4 N90	65,00	73,00	4,00
OR 65-5 N90	65,00	75,00	5,00
OR 65.1-3.53 N90	65,10	72,16	3,53
OR 66-2 N90	66,00	70,00	2,00
OR 66-3 N90	66,00	72,00	3,00
OR 66.04-5.34 N90	66,04	76,72	5,34
OR 66.27-3.53 N90	66,27	73,33	3,53
OR 66.34-2.62 N90	66,34	71,58	2,62
OR 67-2.5 N90	67,00	72,00	2,50
OR 67-3 N90	67,00	73,00	3,00
OR 67-4 N90	67,00	75,00	4,00
OR 67-5 N90	67,00	77,00	5,00
OR 67.95-2.62 N90	67,95	73,19	2,62
OR 68-2.5 N90	68,00	73,00	2,50
OR 68-3 N90	68,00	74,00	3,00
OR 68.26-3.53 N90	68,26	75,32	3,53
OR 69.2-5.7 N90	69,20	80,60	5,70



# OR 90° Shore NBR

O-ring, 90SH NBR

## Articolo

Denominazione	d1 (mm)	d2 (mm)	s (mm)
OR 69.22-5.34 N90	69,22	79,90	5,34
OR 69.3-5.7 N90	69,30	80,70	5,70
OR 69.44-3.53 N90	69,44	76,50	3,53
OR 69.52-2.62 N90	69,52	74,76	2,62
OR 69.85-3.53 N90	69,85	76,91	3,53
OR 70-2 N90	70,00	74,00	2,00
OR 70-2.5 N90	70,00	75,00	2,50
OR 70-3 N90	70,00	76,00	3,00
OR 70-3.5 N90	70,00	77,00	3,50
OR 70-4 N90	70,00	78,00	4,00
OR 70-5 N90	70,00	80,00	5,00
OR 71-3 N90	71,00	77,00	3,00
OR 71.12-2.62 N90	71,12	76,36	2,62
OR 72-2 N90	72,00	76,00	2,00
OR 72-3 N90	72,00	78,00	3,00
OR 72-4 N90	72,00	80,00	4,00
OR 72-5 N90	72,00	82,00	5,00
OR 72.2-5.7 N90	72,20	83,60	5,70
OR 72.39-5.34 N90	72,39	83,07	5,34
OR 72.62-3.53 N90	72,62	79,68	3,53
OR 73-3 N90	73,00	79,00	3,00
OR 73-4 N90	73,00	81,00	4,00
OR 73-5 N90	73,00	83,00	5,00
OR 73.02-3.53 N90	73,02	80,08	3,53
OR 74-3 N90	74,00	80,00	3,00
OR 74-4 N90	74,00	82,00	4,00
OR 74.2-5.7 N90	74,20	85,60	5,70
OR 74.6-3.53 N90	74,60	81,66	3,53
OR 75-2 N90	75,00	79,00	2,00
OR 75-2.5 N90	75,00	80,00	2,50
OR 75-3 N90	75,00	81,00	3,00
OR 75-3.5 N90	75,00	82,00	3,50
OR 75-4 N90	75,00	83,00	4,00
OR 75-5 N90	75,00	85,00	5,00
OR 75.57-5.34 N90	75,57	86,25	5,34
OR 75.79-3.53 N90	75,79	82,85	3,53
OR 75.87-2.62 N90	75,87	81,11	2,62
OR 76-2.5 N90	76,00	81,00	2,50
OR 76-3 N90	76,00	82,00	3,00
OR 76-4 N90	76,00	84,00	4,00
OR 77-3 N90	77,00	83,00	3,00
OR 77-5 N90	77,00	87,00	5,00
OR 78-2 N90	78,00	82,00	2,00
OR 78-4 N90	78,00	86,00	4,00
OR 78.74-5.34 N90	78,74	89,42	5,34
OR 78.97-3.53 N90	78,97	86,03	3,53
OR 79-1.78 N90	79,00	82,56	1,78
OR 79-3 N90	79,00	85,00	3,00
OR 79.3-5.7 N90	79,30	90,70	5,70
OR 79.73-5.34 N90	79,73	90,41	5,34
OR 80-2 N90	80,00	84,00	2,00
OR 80-2.5 N90	80,00	85,00	2,50
OR 80-3 N90	80,00	86,00	3,00
OR 80-4 N90	80,00	88,00	4,00
OR 80-5 N90	80,00	90,00	5,00
OR 81.92-5.34 N90	81,92	92,60	5,34
OR 82-2 N90	82,00	86,00	2,00
OR 82-3 N90	82,00	88,00	3,00
OR 82-3.5 N90	82,00	89,00	3,50
OR 82-4 N90	82,00	90,00	4,00
OR 82-5 N90	82,00	92,00	5,00
OR 82.14-3.53 N90	82,14	89,20	3,53
OR 82.2-5.7 N90	82,20	93,60	5,70





# OR 90° Shore NBR

O-ring, 90SH NBR

## Articolo

Denominazione	d1 (mm)	d2 (mm)	s (mm)
OR 82.22-2.62 N90	82,22	87,46	2,62
OR 82.27-1.78 N90	82,27	85,83	1,78
OR 83-3 N90	83,00	89,00	3,00
OR 84-3 N90	84,00	90,00	3,00
OR 84.3-5.7 N90	84,30	95,70	5,70
OR 85-2 N90	85,00	89,00	2,00
OR 85-2.5 N90	85,00	90,00	2,50
OR 85-3 N90	85,00	91,00	3,00
OR 85-3.5 N90	85,00	92,00	3,50
OR 85-4 N90	85,00	93,00	4,00
OR 85-5 N90	85,00	95,00	5,00
OR 85.09-5.34 N90	85,09	95,77	5,34
OR 85.32-3.53 N90	85,32	92,38	3,53
OR 86-2 N90	86,00	90,00	2,00
OR 86-2.5 N90	86,00	91,00	2,50
OR 86-3 N90	86,00	92,00	3,00
OR 86-4 N90	86,00	94,00	4,00
OR 88-3 N90	88,00	94,00	3,00
OR 88-6 N90	88,00	100,00	6,00
OR 88.27-2.62 N90	88,27	93,51	2,62
OR 88.27-5.34 N90	88,27	98,95	5,34
OR 88.49-3.53 N90	88,49	95,55	3,53
OR 89.2-5.7 N90	89,20	100,60	5,70
OR 89.5-3 N90	89,50	95,50	3,00
OR 89.69-5.34 N90	89,69	100,37	5,34
OR 90-2 N90	90,00	94,00	2,00
OR 90-2.5 N90	90,00	95,00	2,50
OR 90-3 N90	90,00	96,00	3,00
OR 90-4 N90	90,00	98,00	4,00
OR 90-5 N90	90,00	100,00	5,00
OR 91.44-5.34 N90	91,44	102,12	5,34
OR 91.67-3.53 N90	91,67	98,73	3,53
OR 92-2 N90	92,00	96,00	2,00
OR 92-3 N90	92,00	98,00	3,00
OR 92-4 N90	92,00	100,00	4,00
OR 92-5 N90	92,00	102,00	5,00
OR 93-3 N90	93,00	99,00	3,00
OR 94-2 N90	94,00	98,00	2,00
OR 94-2.5 N90	94,00	99,00	2,50
OR 94-3 N90	94,00	100,00	3,00
OR 94.3-5.7 N90	94,30	105,70	5,70
OR 94.62-5.34 N90	94,62	105,30	5,34
OR 94.84-3.53 N90	94,84	101,90	3,53
OR 94.92-2.62 N90	94,92	100,16	2,62
OR 95-3 N90	95,00	101,00	3,00
OR 95-4 N90	95,00	103,00	4,00
OR 95-5 N90	95,00	105,00	5,00
OR 96-2 N90	96,00	100,00	2,00
OR 96-3 N90	96,00	102,00	3,00
OR 96-4 N90	96,00	104,00	4,00
OR 97.79-5.34 N90	97,79	108,47	5,34
OR 98-3 N90	98,00	104,00	3,00
OR 98.02-3.53 N90	98,02	105,08	3,53
OR 99-5.7 N90	99,00	110,40	5,70
OR 99.2-5.7 N90	99,20	110,60	5,70
OR 100-2 N90	100,00	104,00	2,00
OR 100-3 N90	100,00	106,00	3,00
OR 100-4 N90	100,00	108,00	4,00
OR 100-5 N90	100,00	110,00	5,00
OR 100.97-5.34 N90	100,97	111,65	5,34
OR 101.19-3.53 N90	101,19	108,25	3,53
OR 101.27-2.62 N90	101,27	106,51	2,62
OR 102-3 N90	102,00	108,00	3,00



Nonostante il più attento esame non si possono escludere eventuali errori ed omissioni, non ci assumiamo alcuna responsabilità per le indicazioni contenute.

# OR 90° Shore NBR

O-ring, 90SH NBR

**HANSA FLEX**

## Articolo

Denominazione	d1 (mm)	d2 (mm)	s (mm)
OR 102-4 N90	102,00	110,00	4,00
OR 104-4 N90	104,00	112,00	4,00
OR 104.14-5.34 N90	104,14	114,82	5,34
OR 104.3-5.7 N90	104,30	115,70	5,70
OR 104.37-3.53 N90	104,37	111,43	3,53
OR 105-3 N90	105,00	111,00	3,00
OR 105-4 N90	105,00	113,00	4,00
OR 105-5 N90	105,00	115,00	5,00
OR 107-5 N90	107,00	117,00	5,00
OR 107.32-5.34 N90	107,32	118,00	5,34
OR 107.54-3.53 N90	107,54	114,60	3,53
OR 107.62-2.62 N90	107,62	112,86	2,62
OR 108-3 N90	108,00	114,00	3,00
OR 109-5.7 N90	109,00	120,40	5,70
OR 109.2-5.7 N90	109,20	120,60	5,70
OR 109.54-5.34 N90	109,54	120,22	5,34
OR 110-4 N90	110,00	118,00	4,00
OR 110-5 N90	110,00	120,00	5,00
OR 110.49-5.34 N90	110,49	121,17	5,34
OR 110.72-3.53 N90	110,72	117,78	3,53
OR 112-3 N90	112,00	118,00	3,00
OR 113.67-5.34 N90	113,67	124,35	5,34
OR 113.67-7 N90	113,67	127,67	7,00
OR 113.89-3.53 N90	113,89	120,95	3,53
OR 114-3 N90	114,00	120,00	3,00
OR 114.3-5.7 N90	114,30	125,70	5,70
OR 115-3 N90	115,00	121,00	3,00
OR 115-4 N90	115,00	123,00	4,00
OR 115-5 N90	115,00	125,00	5,00
OR 116-3 N90	116,00	122,00	3,00
OR 116.84-5.34 N90	116,84	127,52	5,34
OR 116.84-7 N90	116,84	130,84	7,00
OR 117-4 N90	117,00	125,00	4,00
OR 117.07-3.53 N90	117,07	124,13	3,53
OR 117.48-5.34 N90	117,48	128,16	5,34
OR 118-4 N90	118,00	126,00	4,00
OR 119-3 N90	119,00	125,00	3,00
OR 119.3-5.7 N90	119,30	130,70	5,70
OR 120-3 N90	120,00	126,00	3,00
OR 120-4 N90	120,00	128,00	4,00
OR 120-5 N90	120,00	130,00	5,00
OR 120.02-5.34 N90	120,02	130,70	5,34
OR 120.02-7 N90	120,02	134,02	7,00
OR 120.24-3.53 N90	120,24	127,30	3,53
OR 122-5 N90	122,00	132,00	5,00
OR 123.19-5.34 N90	123,19	133,87	5,34
OR 123.19-7 N90	123,19	137,19	7,00
OR 123.42-3.53 N90	123,42	130,48	3,53
OR 123.83-5.34 N90	123,83	134,51	5,34
OR 124-3 N90	124,00	130,00	3,00
OR 124.3-5.7 N90	124,30	135,70	5,70
OR 125-3 N90	125,00	131,00	3,00
OR 125-4 N90	125,00	133,00	4,00
OR 125-5 N90	125,00	135,00	5,00
OR 126-3.5 N90	126,00	133,00	3,50
OR 126.37-7 N90	126,37	140,37	7,00
OR 126.59-3.53 N90	126,59	133,65	3,53
OR 127-5.34 N90	127,00	137,68	5,34
OR 128-3 N90	128,00	134,00	3,00
OR 129.3-5.7 N90	129,30	140,70	5,70
OR 129.54-5.34 N90	129,54	140,22	5,34
OR 129.54-7 N90	129,54	143,54	7,00
OR 129.77-3.53 N90	129,77	136,83	3,53



Nonostante il più attento esame non si possono escludere eventuali errori ed omissioni, non ci assumiamo alcuna responsabilità per le indicazioni contenute.

05.11.2024

HANSA-FLEX AG

[www.hansa-flex.com](http://www.hansa-flex.com)

10

# OR 90° Shore NBR

O-ring, 90SH NBR

**HANSA FLEX**

## Articolo

Denominazione	d1 (mm)	d2 (mm)	s (mm)
OR 130-3 N90	130,00	136,00	3,00
OR 130-4 N90	130,00	138,00	4,00
OR 130-5 N90	130,00	140,00	5,00
OR 132-3 N90	132,00	138,00	3,00
OR 132.72-5.34 N90	132,72	143,40	5,34
OR 132.72-7 N90	132,72	146,72	7,00
OR 132.94-3.53 N90	132,94	140,00	3,53
OR 133.35-5.34 N90	133,35	144,03	5,34
OR 134-3 N90	134,00	140,00	3,00
OR 134-4 N90	134,00	142,00	4,00
OR 134.3-5.7 N90	134,30	145,70	5,70
OR 135-5 N90	135,00	145,00	5,00
OR 135.89-5.34 N90	135,89	146,57	5,34
OR 135.89-7 N90	135,89	149,89	7,00
OR 136-3 N90	136,00	142,00	3,00
OR 136-4 N90	136,00	144,00	4,00
OR 136.12-3.53 N90	136,12	143,18	3,53
OR 139.07-5.34 N90	139,07	149,75	5,34
OR 139.07-7 N90	139,07	153,07	7,00
OR 139.29-3.53 N90	139,29	146,35	3,53
OR 139.3-5.7 N90	139,30	150,70	5,70
OR 140-3 N90	140,00	146,00	3,00
OR 140-4 N90	140,00	148,00	4,00
OR 140-5 N90	140,00	150,00	5,00
OR 142-6 N90	142,00	154,00	6,00
OR 142.24-7 N90	142,24	156,24	7,00
OR 143-3 N90	143,00	149,00	3,00
OR 144.3-5.7 N90	144,30	155,70	5,70
OR 144.5-3 N90	144,50	150,50	3,00
OR 145-3 N90	145,00	151,00	3,00
OR 145-4 N90	145,00	153,00	4,00
OR 145-5 N90	145,00	155,00	5,00
OR 145.42-5.34 N90	145,42	156,10	5,34
OR 145.42-7 N90	145,42	159,42	7,00
OR 145.64-3.53 N90	145,64	152,70	3,53
OR 145.72-2.62 N90	145,72	150,96	2,62
OR 146-6 N90	146,00	158,00	6,00
OR 146.05-5.34 N90	146,05	156,73	5,34
OR 148-3 N90	148,00	154,00	3,00
OR 148-6 N90	148,00	160,00	6,00
OR 148.59-5.34 N90	148,59	159,27	5,34
OR 148.59-7 N90	148,59	162,59	7,00
OR 148.82-3.53 N90	148,82	155,88	3,53
OR 149.2-5.7 N90	149,20	160,60	5,70
OR 149.23-5.34 N90	149,23	159,91	5,34
OR 150-4 N90	150,00	158,00	4,00
OR 150-5 N90	150,00	160,00	5,00
OR 150-6 N90	150,00	162,00	6,00
OR 151.77-5.34 N90	151,77	162,45	5,34
OR 151.77-7 N90	151,77	165,77	7,00
OR 151.99-3.53 N90	151,99	159,05	3,53
OR 154-3 N90	154,00	160,00	3,00
OR 154.3-5.7 N90	154,30	165,70	5,70
OR 155-4 N90	155,00	163,00	4,00
OR 155-5 N90	155,00	165,00	5,00
OR 158.12-5.34 N90	158,12	168,80	5,34
OR 158.12-7 N90	158,12	172,12	7,00
OR 158.34-3.53 N90	158,34	165,40	3,53
OR 159.3-5.7 N90	159,30	170,70	5,70
OR 160-3 N90	160,00	166,00	3,00
OR 160-4 N90	160,00	168,00	4,00
OR 160-5 N90	160,00	170,00	5,00
OR 162-3 N90	162,00	168,00	3,00



Nonostante il più attento esame non si possono escludere eventuali errori ed omissioni, non ci assumiamo alcuna responsabilità per le indicazioni contenute.

05.11.2024

HANSA-FLEX AG

[www.hansa-flex.com](http://www.hansa-flex.com)

11

# OR 90° Shore NBR

O-ring, 90SH NBR

**HANSA FLEX**

## Articolo

Denominazione	d1 (mm)	d2 (mm)	s (mm)
OR 164.3-5.7 N90	164,30	175,70	5,70
OR 164.47-5.34 N90	164,47	175,15	5,34
OR 164.47-7 N90	164,47	178,47	7,00
OR 164.69-3.53 N90	164,69	171,75	3,53
OR 165-3 N90	165,00	171,00	3,00
OR 165-4 N90	165,00	173,00	4,00
OR 165-5 N90	165,00	175,00	5,00
OR 166.7-7 N90	166,70	180,70	7,00
OR 168-3 N90	168,00	174,00	3,00
OR 169.3-5.7 N90	169,30	180,70	5,70
OR 170-3 N90	170,00	176,00	3,00
OR 170-5 N90	170,00	180,00	5,00
OR 170.82-5.34 N90	170,82	181,50	5,34
OR 170.82-7 N90	170,82	184,82	7,00
OR 171.04-3.53 N90	171,04	178,10	3,53
OR 173-5 N90	173,00	183,00	5,00
OR 175-5 N90	175,00	185,00	5,00
OR 175-6 N90	175,00	187,00	6,00
OR 177.17-7 N90	177,17	191,17	7,00
OR 177.39-3.53 N90	177,39	184,45	3,53
OR 180-3 N90	180,00	186,00	3,00
OR 180-4 N90	180,00	188,00	4,00
OR 180-5 N90	180,00	190,00	5,00
OR 183.52-5.34 N90	183,52	194,20	5,34
OR 183.52-7 N90	183,52	197,52	7,00
OR 183.74-3.53 N90	183,74	190,80	3,53
OR 184.3-5.7 N90	184,30	195,70	5,70
OR 184.5-3 N90	184,50	190,50	3,00
OR 185-5 N90	185,00	195,00	5,00
OR 189.3-5.7 N90	189,30	200,70	5,70
OR 189.87-5.34 N90	189,87	200,55	5,34
OR 189.87-7 N90	189,87	203,87	7,00
OR 190-3 N90	190,00	196,00	3,00
OR 190-4 N90	190,00	198,00	4,00
OR 190-5 N90	190,00	200,00	5,00
OR 190.09-3.53 N90	190,09	197,15	3,53
OR 194.3-5.7 N90	194,30	205,70	5,70
OR 195-4 N90	195,00	203,00	4,00
OR 195-5 N90	195,00	205,00	5,00
OR 196.22-5.34 N90	196,22	206,90	5,34
OR 196.22-7 N90	196,22	210,22	7,00
OR 199.3-5.7 N90	199,30	210,70	5,70
OR 200-3 N90	200,00	206,00	3,00
OR 200-5 N90	200,00	210,00	5,00
OR 202.57-5.34 N90	202,57	213,25	5,34
OR 202.57-7 N90	202,57	216,57	7,00
OR 202.79-3.53 N90	202,79	209,85	3,53
OR 205-5 N90	205,00	215,00	5,00
OR 208.92-7 N90	208,92	222,92	7,00
OR 209.3-5.7 N90	209,30	220,70	5,70
OR 210-5 N90	210,00	220,00	5,00
OR 215-5 N90	215,00	225,00	5,00
OR 215.27-5.34 N90	215,27	225,95	5,34
OR 215.27-7 N90	215,27	229,27	7,00
OR 219.3-5.7 N90	219,30	230,70	5,70
OR 220-5 N90	220,00	230,00	5,00
OR 221.62-5.34 N90	221,62	232,30	5,34
OR 225-3 N90	225,00	231,00	3,00
OR 225-5 N90	225,00	235,00	5,00
OR 227.97-5.34 N90	227,97	238,65	5,34
OR 227.97-7 N90	227,97	241,97	7,00
OR 229.3-5.7 N90	229,30	240,70	5,70
OR 230-5 N90	230,00	240,00	5,00



Nonostante il più attento esame non si possono escludere eventuali errori ed omissioni, non ci assumiamo alcuna responsabilità per le indicazioni contenute.

05.11.2024

HANSA-FLEX AG

[www.hansa-flex.com](http://www.hansa-flex.com)

12

# OR 90° Shore NBR

O-ring, 90SH NBR

## Articolo

Denominazione	d1 (mm)	d2 (mm)	s (mm)
OR 234.32-5.34 N90	234,32	245,00	5,34
OR 234.32-7 N90	234,32	248,32	7,00
OR 235-5 N90	235,00	245,00	5,00
OR 239.3-5.7 N90	239,30	250,70	5,70
OR 240-5 N90	240,00	250,00	5,00
OR 240.67-5.34 N90	240,67	251,35	5,34
OR 240.67-7 N90	240,67	254,67	7,00
OR 240.89-3.53 N90	240,89	247,95	3,53
OR 247.02-5.34 N90	247,02	257,70	5,34
OR 249.3-5.7 N90	249,30	260,70	5,70
OR 250-5 N90	250,00	260,00	5,00
OR 253.37-7 N90	253,37	267,37	7,00
OR 253.59-3.53 N90	253,59	260,65	3,53
OR 260-5 N90	260,00	270,00	5,00
OR 266.07-5.34 N90	266,07	276,75	5,34
OR 266.07-7 N90	266,07	280,07	7,00
OR 270-5 N90	270,00	280,00	5,00
OR 278.77-5.34 N90	278,77	289,45	5,34
OR 278.77-7 N90	278,77	292,77	7,00
OR 280-5 N90	280,00	290,00	5,00
OR 285.1-7 N90	285,10	299,10	7,00
OR 290-5 N90	290,00	300,00	5,00
OR 291.47-7 N90	291,47	305,47	7,00
OR 304.17-7 N90	304,17	318,17	7,00
OR 304.39-3.53 N90	304,39	311,45	3,53
OR 316.87-7 N90	316,87	330,87	7,00
OR 329.57-7 N90	329,57	343,57	7,00
OR 329.79-3.53 N90	329,79	336,85	3,53
OR 342.27-7 N90	342,27	356,27	7,00
OR 354.97-7 N90	354,97	368,97	7,00
OR 359.3-5.7 N90	359,30	370,70	5,70
OR 367.67-7 N90	367,67	381,67	7,00
OR 380.37-7 N90	380,37	394,37	7,00
OR 393.07-7 N90	393,07	407,07	7,00
OR 405.26-7 N90	405,26	419,26	7,00
OR 417.96-7 N90	417,96	431,96	7,00
OR 439.3-5.7 N90	439,30	450,70	5,70