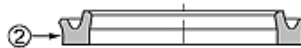
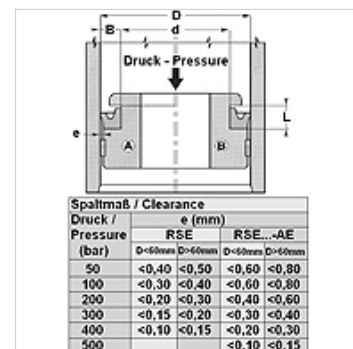


Caratteristiche

| | |
|-------------------------------------|--|
| Tipo | Ghiera pistone |
| Pressione d'esercizio | fino a 400 bar |
| Velocità di scorrimento max. | 0,5 m/s |
| Temperatura min. | -30 °C |
| Temperatura max. | 80 °C |
| Mezzi | Oli minerali |
| Montaggio | pistone in unico pezzo A pistone in più pezzi B |
| Materiale | (2) Guarnizione di tenuta: PUR |
| Applicazione | Idraulica |



| Toleranz / Tolerance | | |
|----------------------|------------|------------|
| D | d | L |
| H10 / e8 | +0,10 0 | +0,20 0 |



Nota

Le guarnizioni di tenuta per pistoni non sono adatte ai pistoni ad effetto doppio. Vi preghiamo di interpellarci.

Descrizione

Considerevole resistenza all'abrasione.

Buona tenuta.

Soluzione semplice.

Articolo

| Denominazione | D (mm) | d (mm) | L (mm) | M (mm) |
|---------------|-----------|-----------|-----------|-----------|
| RSE 12 05 | 12,0 | 5,0 | 6,0 | 8 |
| RSE 14 08 | 14,0 | 8,0 | 6,8 | 11 |
| RSE 16 10-1 | 16,0 | 10,0 | 6,5 | 13 |
| RSE 16 10 | 16,0 | 10,0 | 9,0 | 13 |
| RSE 20 12 | 20,0 | 12,0 | 7,5 | 15 |
| RSE 20 14 | 20,0 | 14,0 | 6,0 | 17 |
| RSE 22 12 | 22,0 | 12,0 | 9,0 | 16 |
| RSE 25 15 | 25,0 | 15,0 | 9,0 | 19 |
| RSE 30 15 | 30,0 | 15,0 | 11,0 | 19 |
| RSE 30 20 | 30,0 | 20,0 | 9,0 | 24 |
| RSE 30 22 | 30,0 | 22,0 | 7,0 | 25 |
| RSE 32 22 | 32,0 | 22,0 | 11,0 | 26 |
| RSE 32 26 | 32,0 | 26,0 | 6,0 | 28 |
| RSE 35 20 | 35,0 | 20,0 | 11,0 | 25 |
| RSE 35 25 | 35,0 | 25,0 | 9,0 | 29 |
| RSE 37 21 | 37,0 | 21,0 | 13,0 | 25 |
| RSE 40 25-1 | 40,0 | 25,0 | 10,0 | 30 |
| RSE 40 25 | 40,0 | 25,0 | 11,0 | 30 |
| RSE 40 30-1 | 40,0 | 30,0 | 7,5 | 34 |
| RSE 40 30 | 40,0 | 30,0 | 11,0 | 34 |
| RSE 40 32-2 | 40,0 | 32,0 | 6,5 | 36 |
| RSE 40 32 | 40,0 | 32,0 | 9,0 | 36 |
| RSE 40 33 | 40,0 | 33,0 | 9,0 | 36 |
| RSE 42 32 | 42,0 | 32,0 | 11,0 | 36 |
| RSE 42 35 | 42,0 | 34,5 | 4,7 | 37 |
| RSE 45 29 | 45,0 | 38,5 | 13,0 | 33 |
| RSE 45 30 | 45,0 | 30,0 | 11,0 | 35 |
| RSE 50 30 | 50,0 | 30,0 | 13,0 | 35 |
| RSE 50 32 | 50,0 | 32,0 | 11,0 | 35 |
| RSE 50 35-1 | 50,0 | 35,0 | 9,5 | 40 |
| RSE 50 35 | 50,0 | 35,0 | 11,0 | 40 |
| RSE 50 40-1 | 50,0 | 40,0 | 5,5 | 44 |
| RSE 50 40 | 50,0 | 40,0 | 11,0 | 44 |
| RSE 50 42-2 | 50,0 | 42,0 | 6,0 | 45 |
| RSE 50 42-1 | 50,0 | 42,0 | 9,0 | 45 |
| RSE 50 42 | 50,0 | 42,0 | 11,0 | 45 |
| RSE 51 41 | 50,8 | 40,8 | 8,0 | 45 |
| RSE 55 40 | 55,0 | 40,0 | 11,0 | 45 |



Articolo

| Denominazione | D (mm) | d (mm) | L (mm) | M (mm) |
|---------------|-----------|-----------|-----------|-----------|
| RSE 60 40 | 60,0 | 40,0 | 13,0 | 45 |
| RSE 60 40-1 | 60,0 | 40,0 | 14,5 | 45 |
| RSE 60 45 | 60,0 | 45,0 | 11,0 | 50 |
| RSE 60 50 | 60,0 | 50,0 | 8,0 | 54 |
| RSE 60 50-2 | 60,0 | 50,0 | 11,0 | 54 |
| RSE 60 52 | 60,0 | 52,0 | 9,0 | 55 |
| RSE 63 43 | 63,0 | 43,0 | 13,0 | 47 |
| RSE 63 45 | 63,0 | 45,0 | 11,0 | 50 |
| RSE 63 45-2 | 63,0 | 45,0 | 13,0 | 50 |
| RSE 63 48-1 | 63,0 | 48,0 | 11,0 | 53 |
| RSE 63 48 | 63,0 | 48,0 | 13,0 | 53 |
| RSE 63 53 | 63,0 | 53,0 | 8,0 | 57 |
| RSE 63 53-1 | 63,0 | 53,0 | 13,0 | 57 |
| RSE 65 45-1 | 65,0 | 45,0 | 13,0 | 50 |
| RSE 65 45 | 65,0 | 45,0 | 14,5 | 50 |
| RSE 65 50 | 65,0 | 50,0 | 11,0 | 55 |
| RSE 65 55-1 | 65,0 | 55,0 | 11,0 | 59 |
| RSE 65 55 | 65,0 | 55,0 | 14,5 | 59 |
| RSE 70 50 | 70,0 | 53,0 | 13,0 | 55 |
| RSE 70 50-1 | 70,0 | 53,0 | 14,5 | 55 |
| RSE 70 55-1 | 70,0 | 55,0 | 10,5 | 60 |
| RSE 70 55 | 70,0 | 55,0 | 13,0 | 60 |
| RSE 70 60 | 70,0 | 60,0 | 8,0 | 64 |
| RSE 70 60-1 | 70,0 | 60,0 | 13,0 | 64 |
| RSE 70 60-2 | 70,0 | 60,0 | 14,5 | 64 |
| RSE 70 62 | 70,0 | 62,0 | 8,5 | 65 |
| RSE 72 58 | 72,0 | 58,0 | 13,0 | 62 |
| RSE 75 50 | 75,0 | 50,0 | 15,0 | 55 |
| RSE 75 55 | 75,0 | 55,0 | 14,5 | 60 |
| RSE 75 65-4 | 75,0 | 65,0 | 8,0 | 69 |
| RSE 75 65-2 | 75,0 | 65,0 | 11,0 | 69 |
| RSE 75 65 | 75,0 | 65,0 | 14,5 | 69 |
| RSE 80 60 | 80,0 | 60,0 | 13,0 | 65 |
| RSE 80 60-1 | 80,0 | 60,0 | 14,5 | 65 |
| RSE 80 65 | 80,0 | 65,0 | 13,0 | 70 |
| RSE 80 70 | 80,0 | 70,0 | 8,0 | 74 |
| RSE 80 70-1 | 80,0 | 70,0 | 13,0 | 74 |
| RSE 80 72 | 80,0 | 72,0 | 13,0 | 75 |
| RSE 85 65-2 | 85,0 | 65,0 | 13,0 | 70 |
| RSE 90 70 | 90,0 | 70,0 | 13,0 | 75 |
| RSE 90 70-1 | 90,0 | 70,0 | 14,5 | 75 |
| RSE 90 75 | 90,0 | 75,0 | 13,0 | 80 |
| RSE 90 80-2 | 90,0 | 80,0 | 5,5 | 84 |
| RSE 90 80-1 | 90,0 | 80,0 | 11,0 | 84 |
| RSE 90 80 | 90,0 | 80,0 | 14,0 | 84 |
| RSE 100 80-2 | 100,0 | 80,0 | 11,0 | 85 |
| RSE 100 80 | 100,0 | 80,0 | 13,0 | 85 |
| RSE 100 80-1 | 100,0 | 80,0 | 14,5 | 85 |
| RSE 100 85 | 100,0 | 85,0 | 13,0 | 90 |
| RSE 100 86 | 100,0 | 86,0 | 13,0 | 90 |
| RSE 100 90 | 100,0 | 90,0 | 8,0 | 94 |
| RSE 100 90-1 | 100,0 | 90,0 | 11,5 | 94 |
| RSE 110 90 | 110,0 | 90,0 | 13,0 | 95 |
| RSE 110 95 | 110,0 | 95,0 | 13,0 | 100 |
| RSE 110 100 | 110,0 | 100,0 | 8,0 | 104 |
| RSE 110 100-1 | 110,0 | 100,0 | 14,5 | 104 |
| RSE 115 100 | 115,0 | 100,0 | 11,5 | 105 |
| RSE 115 105 | 115,0 | 105,0 | 14,5 | 109 |
| RSE 120 100 | 120,0 | 100,0 | 13,0 | 105 |
| RSE 120 100-1 | 120,0 | 100,0 | 14,5 | 105 |
| RSE 125 105 | 125,0 | 100,0 | 13,0 | 110 |
| RSE 125 105-1 | 125,0 | 100,0 | 16,0 | 110 |
| RSE 125 115 | 125,0 | 115,0 | 8,0 | 119 |



Articolo

| Denominazione | D (mm) | d (mm) | L (mm) | M (mm) |
|---------------|-----------|-----------|-----------|-----------|
| RSE 125 115-1 | 125,0 | 115,0 | 16,0 | 119 |
| RSE 140 120 | 140,0 | 120,0 | 13,0 | 125 |
| RSE 150 125 | 150,0 | 125,0 | 14,5 | 130 |
| RSE 150 130 | 150,0 | 130,0 | 16,0 | 135 |
| RSE 160 140 | 160,0 | 140,0 | 14,5 | 145 |
| RSE 180 160 | 180,0 | 160,0 | 14,5 | 165 |
| RSE 280 250 | 280,0 | 250,0 | 19,0 | 256 |