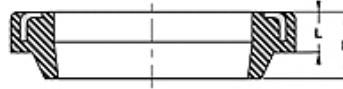
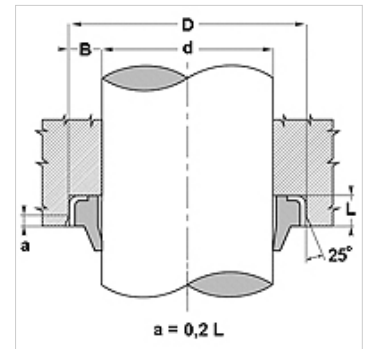


Caratteristiche

Tipo	Paraolio
Velocità di scorrimento max.	0,5 m/s
Temperatura min.	-30 °C
Temperatura max.	100 °C
Mezzi	Oli minerali Emulsioni acqua
Montaggio	viene inserito in una scanalatura aperta
Materiale	(1) Bussola: Acciaio (2) Paraolio: 90° Shore A NBR
Applicazione	Idraulica



Toleranz / Tolerance		
d	D	L
h11	H8	+0,20 0



Descrizione

Scarso bisogno di spazio.
Nessuna penetrazione di sporco attraverso l'anello metallico esterno.
Soluzione semplice.

Avvertenza per l'ordinazione

Per condizioni d'esercizio particolari (liquido, temperatura, pressione ...) vi preghiamo di contattarci.
Possibilità di altri materiali: FPM

Articolo

Denominazione	d (mm)	D (mm)	L (mm)	H (mm)
GA 12 18-3-R	12	18,0	3,5	5,0
GA 14 20-3-R	14	20,0	3,5	5,0
GA 15 21-3-R	15	21,0	3,5	5,0
GA 16 22-3-R	16	22,0	3,5	5,0
GA 18 28-5-R	18	28,0	5,0	7,0
GA 20 30-5-R	20	30,0	5,0	7,0
GA 22 32-5-R	22	32,0	5,0	7,0
GA 25 35-5-R	25	35,0	5,0	7,0
GA 28 38-5-R	28	38,0	5,0	7,0
GA 30 40-5-R	30	40,0	5,0	7,0
GA 30 40-7-R	30	40,0	7,0	10,0
GA 32 42-5-R	32	42,0	5,0	7,0
GA 36 46-5-R	36	46,0	5,0	7,0
GA 40 50-5-R	40	50,0	5,0	8,0
GA 42 52-5-R	42	52,0	5,0	7,0
GA 45 55-5-R	45	55,0	5,0	7,0
GA 50 60-5-R	50	60,0	5,0	7,0
GA 55 65-5-R	55	65,0	5,0	7,0
GA 56 66-5-R	56	66,0	5,0	7,0
GA 60 70-5-R	60	70,0	5,0	7,0
GA 63 73-5-R	63	73,0	5,0	7,0
GA 65 75-5-R	65	75,0	5,0	7,0
GA 70 80-5-R	70	80,0	5,0	7,0
GA 75 83-7-R	75	83,0	7,0	10,0
GA 80 88-7-R	80	88,0	7,0	10,0
GA 80 90-7-R	80	90,0	7,0	10,0