

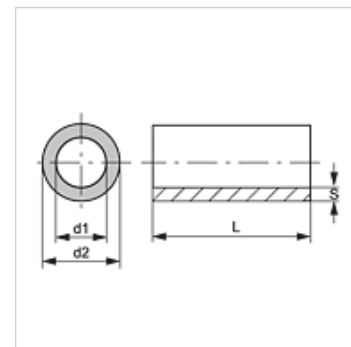
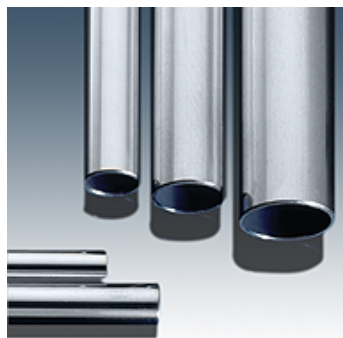
PR V4 (M)

Tubo d'acciaio di precisione, metrico, 1.4571

HANSA FLEX

Caratteristiche

Tipo	Tubo d'acciaio di precisione, metrico
Materiale	Acciaio inossidabile 1.4571
Lunghezza tubo	6 metri



Nota

Le indicazioni della pressione riportate si riferiscono a un tubo diritto.

Per i tubi curvati si devono calcolare gli spessori corrispondenti delle pareti analogamente alla DIN EN 13480-4.

Informazioni supplementari

Calcolo analogo alla DIN 2413 (bozza)

Caso di carico I : statico (fino a 100 °C)

Caso di carico III : dinamico (fino a 200 °C) larghezza di oscillazione = P bar

Valore nominale di resistenza: K 234 [N/mm²]

Coefficiente di sicurezza: S 1,5

Resistenza di soglia: σ_{Sch}/D 190 [N/mm²]

Tolleranze: DIN 10305-4

Limiti di elasticità in conformità alla DIN 10216-5 da Rp 1,0 fino a 50°C

Articolo

Denominazione	Ø d2 (mm)	Tolleranza DE +/- (mm)	Ø d1 (mm)	S (mm)	Tolleranza DI +/- (mm)	Caso di carico I : (bar)	Caso di carico III : (bar)
PR 34-2 V4	34,0	-	30,0	2,00	-	-	-
PR 14-1 V4	14,0	-	12,0	1,00	-	-	-
PR 04-0.5 V4	4,0	-	3,0	0,50	-	-	-
PR 04-1 V4	4,0	0,08	2,0	1,00	0,15	600	408
PR 05-0.5 V4	5,0	-	4,0	0,50	-	-	-
PR 05-1 V4	5,0	-	3,0	1,00	-	-	-
PR 06-0.5 V4	6,0	0,08	5,0	0,50	0,15	-	-
PR 06-1 V4	6,0	0,08	4,0	1,00	0,15	400	287
PR 06-1.5 V4	6,0	0,08	3,0	1,50	0,15	660	442
PR 06-2 V4	6,0	0,08	2,0	2,00	0,15	915	575
PR 08-1 V4	8,0	0,08	6,0	1,00	0,15	300	222
PR 08-1.5 V4	8,0	0,08	5,0	1,50	0,15	495	347
PR 08-2 V4	8,0	0,08	4,0	2,00	0,15	690	458
PR 08-2.5 V4	8,0	-	3,0	2,50	-	-	-
PR 10-0.5 V4	10,0	0,08	9,0	0,50	0,08	105	81
PR 10-1 V4	10,0	0,08	8,0	1,00	0,15	240	181
PR 10-1.2 V4	10,0	-	7,6	1,20	-	-	-
PR 10-1.5 V4	10,0	0,08	7,0	1,50	0,15	396	285
PR 10-2 V4	10,0	0,08	6,0	2,00	0,15	552	380
PR 10-2.5 V4	10,0	-	5,0	2,50	-	-	-
PR 12-1 V4	12,0	0,08	10,0	1,00	0,15	200	152
PR 12-1.5 V4	12,0	0,08	9,0	1,50	0,15	330	242
PR 12-2 V4	12,0	0,08	8,0	2,00	0,15	460	325
PR 12-3 V4	12,0	0,08	6,0	3,00	0,25	694	461
PR 13-1 V4	13,0	-	11,0	1,00	-	-	-
PR 14-1.5 V4	14,0	0,08	11,0	1,50	0,15	283	210
PR 14-2 V4	14,0	0,08	10,0	2,00	0,15	394	284
PR 14-2.5 V4	14,0	0,08	9,0	2,50	0,15	505	353
PR 14-3 V4	14,0	-	8,0	3,00	-	-	-
PR 15-1 V4	15,0	0,08	13,0	1,00	0,08	174	134
PR 15-1.5 V4	15,0	0,08	12,0	1,50	0,15	264	197
PR 15-2 V4	15,0	0,08	11,0	2,00	0,15	368	267
PR 16-1 V4	16,0	-	14,0	1,00	-	-	-
PR 16-1.5 V4	16,0	0,08	13,0	1,50	0,08	261	195



Nonostante il più attento esame non si possono escludere eventuali errori ed omissioni, non ci assumiamo alcuna responsabilità per le indicazioni contenute.

15.03.2025

HANSA-FLEX AG

www.hansa-flex.com

1

PR V4 (M)

Tubo d'acciaio di precisione, metrico, 1.4571

HANSA FLEX

Articolo

Denominazione	Ø d2 (mm)	Tolleranza DE +/- (mm)	Ø d1 (mm)	S (mm)	Tolleranza DI +/- (mm)	Caso di carico I : (bar)	Caso di carico III : (bar)
PR 16-2 V4	16,0	0,08	12,0	2,00	0,15	345	252
PR 16-2.5 V4	16,0	0,08	11,0	2,50	0,15	442	314
PR 16-3 V4	16,0	0,08	10,0	3,00	0,15	540	373
PR 16-4 V4	16,0	-	8,0	4,00	-	-	-
PR 18-1 V4	18,0	0,08	16,0	1,00	0,08	145	112
PR 18-1.5 V4	18,0	0,08	15,0	1,50	0,08	232	175
PR 18-2 V4	18,0	0,08	14,0	2,00	0,08	318	234
PR 18-2.5 V4	18,0	0,08	13,0	2,50	0,15	393	283
PR 18-3 V4	18,0	-	12,0	3,00	-	-	-
PR 18-4 V4	18,0	-	10,0	4,00	-	-	-
PR 20-1 V 4	20,0	0,08	18,0	1,00	-	-	-
PR 20-1.5 V 4	20,0	0,08	17,0	1,50	-	-	-
PR 20-2 V4	20,0	0,08	16,0	2,00	0,08	287	213
PR 20-2.5 V4	20,0	0,08	15,0	2,50	0,15	354	258
PR 20-3 V4	20,0	0,08	14,0	3,00	0,15	432	308
PR 20-3.5 V4	20,0	0,08	13,0	3,50	0,15	510	355
PR 20-4 V4	20,0	-	12,0	4,00	-	-	-
PR 22-1 V 4	22,0	0,08	20,0	1,00	-	-	-
PR 22-1.5 V4	22,0	0,08	19,0	1,50	0,08	190	145
PR 22-2 V4	22,0	0,08	18,0	2,00	0,08	260	195
PR 22-2.5 V4	22,0	0,08	17,0	2,50	0,15	321	236
PR 22-3 V4	22,0	0,08	16,0	3,00	0,15	392	283
PR 22-4 V4	22,0	-	14,0	4,00	-	-	-
PR 22-6 V4	22,0	-	10,0	6,00	-	-	-
PR 23-1.5 V4	23,0	-	20,0	1,50	-	-	-
PR 24-4 V4	24,0	-	16,0	4,00	-	-	-
PR 25-1.5 V4	25,0	0,08	22,0	1,50	0,08	167	128
PR 25-2 V4	25,0	0,08	21,0	2,00	0,08	229	173
PR 25-2.5 V4	25,0	0,08	20,0	2,50	0,08	292	216
PR 25-3 V4	25,0	0,08	19,0	3,00	0,15	345	252
PR 25-4 V4	25,0	-	17,0	4,00	-	-	-
PR 25-5 V4	25,0	-	15,0	5,00	-	-	-
PR 25-6 V4	25,0	-	13,0	6,00	-	-	-
PR 28-1 V4	28,0	-	26,0	1,00	-	-	-
PR 28-1.5 V4	28,0	0,08	25,0	1,50	0,08	149	115
PR 28-2 V4	28,0	0,08	24,0	2,00	0,08	205	156
PR 28-2.5 V4	28,0	0,08	23,0	2,50	0,08	260	195
PR 28-3 V4	28,0	-	22,0	3,00	-	-	-
PR 28-4 V4	28,0	-	20,0	4,00	-	-	-
PR 28-5 V4	28,0	-	18,0	5,00	-	-	-
PR 30-2 V4	30,0	0,08	26,0	2,00	0,08	191	146
PR 30-2.5 V4	30,0	0,08	25,0	2,50	0,08	243	183
PR 30-3 V4	30,0	0,08	24,0	3,00	0,15	288	214
PR 30-4 V4	30,0	0,08	22,0	4,00	0,15	392	282
PR 30-5 V4	30,0	0,08	20,0	5,00	0,15	496	347
PR 32-1.5 V4	32,0	-	29,0	1,50	-	-	-
PR 32-2 V4	32,0	-	28,0	2,00	-	-	-
PR 32-2.5 V4	32,0	-	27,0	2,50	-	-	-
PR 32-4 V4	32,0	-	26,0	4,00	-	-	-
PR 32-6 V4	32,0	-	20,0	6,00	-	-	-
PR 35-1.5 V 4	35,0	0,08	32,0	1,50	0,08	119	93
PR 35-2 V4	35,0	0,15	31,0	2,00	0,15	151	117
PR 35-2.5 V4	35,0	0,15	30,0	2,50	0,15	196	149
PR 35-3 V4	35,0	-	29,0	3,00	-	-	-
PR 35-4 V4	35,0	-	27,0	4,00	-	-	-
PR 35-5 V 4	35,0	0,15	25,0	5,00	0,15	418	299
PR 38-1.5 V4	38,0	-	35,0	1,50	-	-	-
PR 38-2 V4	38,0	-	34,0	2,00	-	-	-
PR 38-2.6 V4	38,0	-	32,8	2,60	-	-	-
PR 38-3 V4	38,0	-	32,0	3,00	-	-	-
PR 38-4 V4	38,0	0,15	30,0	4,00	0,15	303	224
PR 38-5 V4	38,0	0,15	28,0	5,00	0,15	385	278
PR 38-6 V4	38,0	-	26,0	6,00	-	-	-



Nonostante il più attento esame non si possono escludere eventuali errori ed omissioni, non ci assumiamo alcuna responsabilità per le indicazioni contenute.

PR V4 (M)

Tubo d'acciaio di precisione, metrico, 1.4571

Articolo							
Denominazione	Ø d2 (mm)	Tolleranza DE +/- (mm)	Ø d1 (mm)	S (mm)	Tolleranza DI +/- (mm)	Caso di carico I : (bar)	Caso di carico III : (bar)
PR 40-2 V4	40,0	-	36,0	2,00	-	-	-
PR 42-2 V4	42,0	0,20	38,0	2,00	0,20	118	92
PR 42-3 V4	42,0	0,20	36,0	3,00	0,20	193	147
PR 42-6 V4	42,0	-	30,0	6,00	-	-	-
PR 43-1.5 V4	43,0	-	40,0	1,50	-	-	-
PR 50-1.5 V4	50,0	-	47,0	1,50	-	-	-
PR 50-2 V4	50,0	-	46,0	2,00	-	-	-
PR 50-4 V4	50,0	-	42,0	4,00	-	-	-
PR 50-5 V4	50,0	-	40,0	5,00	-	-	-
PR 50-6 V4	50,0	-	38,0	6,00	-	-	-
PR 54-2 V4	54,0	-	50,0	2,00	-	-	-
PR 57-2 V4	57,0	-	53,0	2,00	-	-	-
PR 63.5-1.5 V4	63,5	-	60,5	1,50	-	-	-
PR 64-2 V4	64,0	-	60,0	2,00	-	-	-
PR 70-1.5 V4	70,0	-	67,0	1,50	-	-	-
PR 70-2 V4	70,0	-	66,0	2,00	-	-	-
PR 70-5 V4	70,0	-	60,0	5,00	-	-	-
PR 101.5-2 V4	101,5	-	97,5	2,00	-	-	-
PR 108-3 V4	108,0	-	102,0	3,00	-	-	-
PR 129-2 V4	129,0	-	125,0	2,00	-	-	-
PR 133-4 V4	133,0	-	125,0	4,00	-	-	-
PR 152-2 V4	152,0	-	148,0	2,00	-	-	-
PR 159-4.5 V4	159,0	-	150,0	4,50	-	-	-