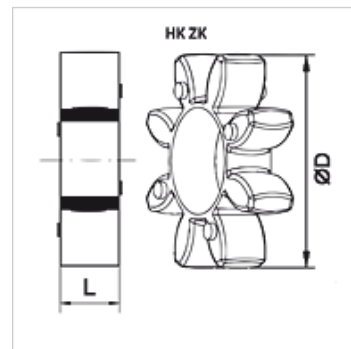


Caratteristiche

Materiale	Poliuretano
Utilizzo	for elastic couplings



Articolo

Denominazione	per grandezza del giunto:	Ø D (mm)	L (mm)	Materiale	Peso (kg)
HK ZK HE2930		85,0	23,0	Elastomero / PU 80 Shore	0,2
HK ZK HE3334		107,0	27,0	Elastomero / PU 80 Shore	0,2
HK ZK ROTEX 24	Rotex 24	55,0	16,0	Elastomero / PU 98 Shore	0,2
HK ZK SPIDEX 19 92SH	Spidex 19	40,0	12,0	Elastomero / PU 92 Shore	0,2
HK ZK SPIDEX 19 98SH	Spidex 19	40,0	12,0	Elastomero / PU 98 Shore	0,2
HK ZK SPIDEX 24 92SH	Spidex 24	55,0	14,0	Elastomero / PU 92 Shore	0,2
HK ZK SPIDEX 24 98SH	Spidex 24	55,0	14,0	Elastomero / PU 98 Shore	0,2
HK ZK SPIDEX 28 92SH	Spidex 28	65,0	15,0	Elastomero / PU 92 Shore	0,2
HK ZK SPIDEX 28 98SH	Spidex 28	65,0	15,0	Elastomero / PU 98 Shore	0,2
HK ZK SPIDEX 38 92SH	Spidex 38	80,0	18,0	Elastomero / PU 92 Shore	0,2
HK ZK SPIDEX 38 98SH	Spidex 38	80,0	18,0	Elastomero / PU 98 Shore	0,2
HK ZK SPIDEX 42 92SH	Spidex 42	95,0	20,0	Elastomero / PU 92 Shore	0,2
HK ZK SPIDEX 42 98SH	Spidex 42	95,0	20,0	Elastomero / PU 98 Shore	0,2
HK ZK SPIDEX 48 92SH	Spidex 48	105,0	21,0	Elastomero / PU 92 Shore	0,2
HK ZK SPIDEX 48 98SH	Spidex 48	105,0	21,0	Elastomero / PU 98 Shore	0,2
HK ZK SPIDEX 55 92SH	Spidex 55	120,0	22,0	Elastomero / PU 92 Shore	0,2
HK ZK SPIDEX 55 98SH	Spidex 55	120,0	22,0	Elastomero / PU 98 Shore	0,2
HK ZK SPIDEX 65 92SH	Spidex 65	135,0	26,0	Elastomero / PU 92 Shore	0,2
HK ZK SPIDEX 65 95SH	Spidex 65	135,0	26,0	Elastomero / PU 95 Shore	0,2
HK ZK SPIDEX 75 92SH	Spidex 75	160,0	30,0	Elastomero / PU 92 Shore	0,2
HK ZK SPIDEX 75 95SH	Spidex 75	160,0	30,0	Elastomero / PU 95 Shore	0,2
HK ZK SPIDEX 90 92SH	Spidex 90	200,0	34,0	Elastomero / PU 92 Shore	0,2
HK ZK SPIDEX 90 95SH	Spidex 90	200,0	34,0	Elastomero / PU 95 Shore	0,2
HK ZK SPIDEX 100 92SH	Spidex 100	225,0	39,0	Elastomero / PU 92 Shore	0,2
HK ZK SPIDEX 100 95SH	Spidex 100	225,0	39,0	Elastomero / PU 95 Shore	0,2

è una parte di ricambio dei seguenti prodotti

HK HE	Giunto HE per pompe ad ingranaggi
HK SPIDEX Z	Giunto Spidex per pompe ad ingranaggi
HK ROTEX AF	Giunto Rotex per pompe a pistoncini assiali e pompe a palette
HK ROTEX Z	Giunto Rotex per pompe ad ingranaggi