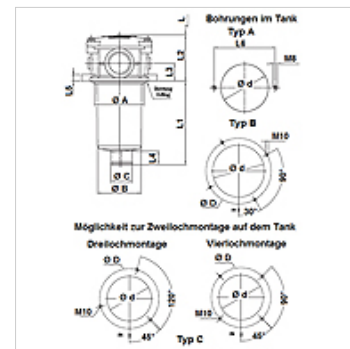


Caratteristiche

Esecuzione	con valvola Bypass 1,75 bar, senza indicatore impurità
Temperatura min.	-25 °C
Temperatura max.	110 °C
Materiale	Guarnizioni di tenuta: NBR
Pressione d'esercizio	max. 8 bar
Entità della fornitura	incluso elemento filtrante



Nota

Quota "L": spazio necessario per il cambio dell'elemento filtrante

Descrizione

Filtro sul ritorno per l'installazione nel coperchio del serbatoio, per le misure del foro vedere grafico.

Pressione differenziale per elemento filtrante in carta (P) max. 3 bar

Pressione differenziale per elemento filtrante inorganico (A) max. 10 bar

Connector for clogging indicator G 1/8" closed with bolt

Progettazione (Qmax.) per media ISO VG 46 a 50°C (30 mm²/s) a Δpges = 0,4 bar

Articolo

Denominazione	Attacchi condotte	Ø A	Ø B	Ø C	Ø D	Ø d	Q max. (L/min)	L	L1	L2	L3	L4	L5	L6	Tipo	Peso (kg)
		(mm)	(mm)	(mm)	(mm)	(mm)										
FI RL 024 A10 N V G1/2	G 1/2"	66,0	60,0	32,0	90,0	67,0	24	100,0	86,0	59,0	22,0	19,0	8,0	90,0	A	0,36
FI RL 048 P10 N V G1/2	G 1/2"	66,0	60,0	32,0	90,0	67,0	60	100,0	86,0	59,0	22,0	19,0	8,0	90,0	A	0,40
FI RL 053 A10 N V G1/2	G 1/2"	88,0	80,0	38,0	115,0	89,0	53	120,0	100,0	82,0	32,0	24,0	12,0	115,0	A	0,74
FI RL 110 P10 N V G1/2	G 1/2"	88,0	80,0	38,0	115,0	89,0	86	120,0	100,0	82,0	32,0	24,0	12,0	115,0	A	0,61
FI RL 053 A10 N V G3/4	G 3/4"	88,0	80,0	38,0	115,0	89,0	53	120,0	100,0	82,0	32,0	24,0	12,0	115,0	A	0,74
FI RL 086 P10 N V G3/4	G 3/4"	88,0	80,0	38,0	115,0	89,0	86	120,0	100,0	82,0	32,0	24,0	12,0	115,0	A	0,74
FI RL 053 A10 N V G1	G 1"	88,0	80,0	38,0	115,0	89,0	53	120,0	100,0	82,0	32,0	24,0	12,0	115,0	A	0,76
FI RL 086 P10 N V G1	G 1"	88,0	80,0	38,0	115,0	89,0	86	120,0	100,0	82,0	32,0	24,0	12,0	115,0	A	0,76
FI RL 064 A10 N V G3/4	G 3/4"	88,0	80,0	38,0	115,0	89,0	64	170,0	150,0	80,0	32,0	24,0	12,0	115,0	A	0,76
FI RL 150 P10 N V G3/4	G 3/4"	88,0	80,0	38,0	115,0	89,0	110	170,0	150,0	80,0	32,0	24,0	12,0	115,0	A	0,61
FI RL 064 A10 N V G1	G 1"	88,0	80,0	38,0	115,0	89,0	64	170,0	150,0	80,0	32,0	24,0	12,0	115,0	A	0,76
FI RL 150 P10 N V G1	G 1"	88,0	80,0	38,0	115,0	89,0	110	170,0	150,0	80,0	32,0	24,0	12,0	115,0	A	0,61
FI RL 125 A10 N V G3/4	G 3/4"	88,0	80,0	46,5	115,0	89,0	125	250,0	225,0	80,0	32,0	24,0	12,0	115,0	A	0,88
FI RL 225 P10 N V G3/4	G 3/4"	88,0	80,0	46,5	115,0	89,0	220	250,0	225,0	80,0	32,0	24,0	12,0	115,0	A	0,67
FI RL 125 A10 N V G1	G 1"	88,0	80,0	46,5	115,0	89,0	125	250,0	225,0	80,0	32,0	24,0	12,0	115,0	A	0,88
FI RL 225 P10 N V G1	G 1"	88,0	80,0	46,5	115,0	89,0	220	250,0	225,0	80,0	32,0	24,0	12,0	115,0	A	0,67
FI RL 230 A10 N V G11/4	G 1.1/4"	129,5	112,0	47,0	175,0	131,0	230	250,0	233,0	91,0	35,0	31,0	13,0	175,0	C	1,86
FI RL 190 P10 N V G11/4	G 1.1/4"	129,5	112,0	47,0	175,0	131,0	280	250,0	233,0	91,0	35,0	31,0	13,0	175,0	C	2,20
FI RL 290 A10 N V G11/4	G 1.1/4"	173,5	150,0	51,0	220,0	174,5	290	200,0	180,0	97,0	38,5	38,0	12,5	220,0	B	3,42
FI RL 280 P10 N V G11/4	G 1.1/4"	173,5	150,0	51,0	220,0	174,5	370	200,0	180,0	97,0	38,5	38,0	12,5	220,0	B	3,00
FI RL 290 A10 N V G11/2	G 1.1/2"	173,5	150,0	51,0	220,0	174,5	290	200,0	180,0	97,0	38,5	38,0	12,5	220,0	B	3,42
FI RL 370 P10 N V G11/2	G 1.1/2"	173,5	150,0	51,0	220,0	174,5	370	200,0	180,0	97,0	38,5	38,0	12,5	220,0	B	3,42
FI RL 290 A10 N V G2	G 2"	173,5	150,0	51,0	220,0	174,5	290	200,0	180,0	97,0	38,5	38,0	12,5	220,0	B	3,42
FI RL 370 P10 N V G2	G 2"	173,5	150,0	51,0	220,0	174,5	370	200,0	180,0	97,0	38,5	38,0	12,5	220,0	B	3,42
FI RL 450 A10 N V G11/2	G 1.1/2"	173,5	150,0	64,0	220,0	174,5	450	250,0	238,0	98,5	38,5	38,0	12,5	220,0	B	3,42
FI RL 320 P10 N V G11/2	G 1.1/2"	173,5	150,0	64,0	220,0	174,5	610	250,0	238,0	98,5	38,5	38,0	12,5	220,0	B	3,50
FI RL 540 A10 N V G11/2	G 1.1/2"	173,5	150,0	64,0	220,0	174,5	540	310,0	290,0	97,0	38,5	38,0	12,5	220,0	B	3,70
FI RL 420 P10 N V G11/2	G 1.1/2"	173,5	150,0	64,0	220,0	174,5	675	310,0	290,0	97,0	38,5	38,0	12,5	220,0	B	3,70
FI RL 540 A10 N V G2	G 2"	173,5	150,0	64,0	220,0	174,5	540	310,0	290,0	97,0	38,5	38,0	12,5	220,0	B	3,70
FI RL 675 P10 N V G2	G 2"	173,5	150,0	64,0	220,0	174,5	675	310,0	290,0	97,0	38,5	38,0	12,5	220,0	B	3,70
FI RL 620 A10 N V SAE2	2" SAE 3000 PSI/M	173,5	150,0	64,0	220,0	174,5	620	450,0	430,0	105,0	48,5	38,0	12,5	220,0	B	5,68
FI RL 750 P10 N V SAE2	2" SAE 3000 PSI/M	173,5	150,0	64,0	220,0	174,5	750	450,0	430,0	105,0	48,5	38,0	12,5	220,0	B	5,68
FI RL 620 A10 N V G2	G 2"	173,5	150,0	64,0	220,0	174,5	620	450,0	430,0	105,0	48,5	38,0	12,5	220,0	B	5,68
FI RL 750 P10 N V G2	G 2"	173,5	150,0	64,0	220,0	174,5	750	450,0	430,0	105,0	48,5	38,0	12,5	220,0	B	5,68

A10 con filtro inorganico (10 µm), filtrazione assoluta – P10 filtro in carta(10 µm), filtrazione nominale – Qmax = portata max.



Accessori

HK VA MAN Clogging indicator pressure gauge

FI RL RVL Prolunga tubo per filtro ritorno

Parti di ricambio

FI RL E MP Elemento filtrante per filtro ritorno
MP

FI RL GEH Corpo per filtro ritorno