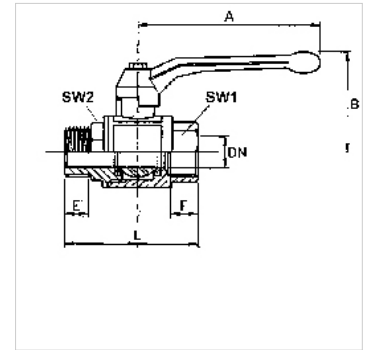


K-BKR HANDHEBEL IG AG

Ball valves with hand lever, female/male thread

Caratteristiche

Campo di impiego	Compressed air, water, non-toxic and neutral gases, heating oil (EL),(S), lubricants, dieseloil, water beased coatings
Temperatura d'esercizio	-20 °C to +130 °C
Filettatura descrizione	G thread acc. to DIN EN ISO 228-1, R thread acc. to DIN EN 10226 (ISO 7-1)
Alloggiamento	Nickel-plated brass
Leva	Alu, painted black
Sfera	hardchrome-plated brass
Guarnizione sfera	PTFE
Guarnizione mandrino	PTFE



Nota

Altri dati su richiesta.

Articolo

Denominazione	DN	Filetto	PN (bar)	A (mm)	B (mm)	E (mm)	F (mm)	L (mm)	SW1 (mm)	SW2 (mm)
K- 07 30 00 17	8	G/R 1/4	80	75,0	51,5	11,0	7,0	49,0	18	18
K- 07 30 00 18	10	G/R 3/8	80	75,0	54,0	11,0	8,5	56,0	21	21
K- 07 30 00 19	15	G/R 1/2	80	100,0	64,0	14,9	8,5	68,0	26	27
K- 07 30 00 20	20	G/R 3/4	80	100,0	68,0	16,0	14,0	77,0	32	33
K- 07 30 00 21	25	G/R 1	80	120,0	80,0	19,0	15,0	89,0	39	40
K- 07 30 00 22	32	G/R 1 1/4	80	150,0	95,0	21,2	16,0	100,0	49	50
K- 07 30 00 23	40	G/R 1 1/2	80	150,0	103,0	21,2	18,0	114,5	56	57
K- 07 30 00 24	50	G/R 2	80	175,0	115,5	25,5	21,0	136,0	69	70