

# K-SAUGPLATTENAUFHAENGUNG

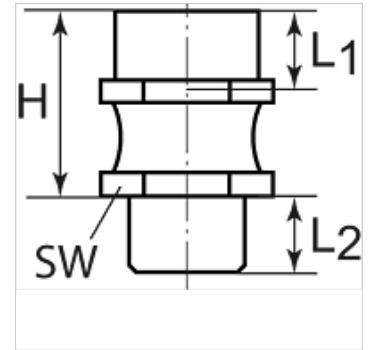
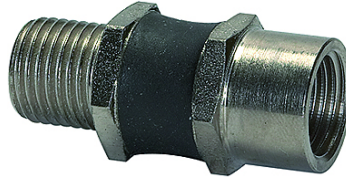
Flexible suction pad mountings

**HANSA FLEX**

## Caratteristiche

**Applicazione** For handling of workpieces with sloping using large-area vacuum gripper  
Handling of large plates that can sag when lifting  
In combination with spring plungers to compensate height-differences and Unevenness

**Caratteristiche particolari** very good adaptation to oblique workpiece surfaces  
automatic Rückstellung in die Ausgangslage  
vacuum-tight design with integrated protection against damage



## Nota

Altri dati su richiesta.

## Descrizione

Flexible suction pad mounting. By flexing in all directions, this mounting allows the suction pad to better adapt itself to sloping workpieces.

## Articolo

Denominazione	Filettatura 1 interna	Filettatura 2 esterna	H (mm)	Materiale	L1 (mm)	L2 (mm)	Angolo W (°)	Carico verticale (N/m <sup>2</sup> )	Momento di flessione (N/m <sup>2</sup> )	SW (mm)
K- 07 45 01 47	G 1/4	M 10 x 1.25	27,0	Steel, rubber	10,5	8,0	12	500	8,0	17
K- 07 45 01 48	G 1/4	G 1/4	27,0	Steel, rubber	12,0	12,0	12	750	10,0	17