

K-HAND-SCHIEBEVENTIL

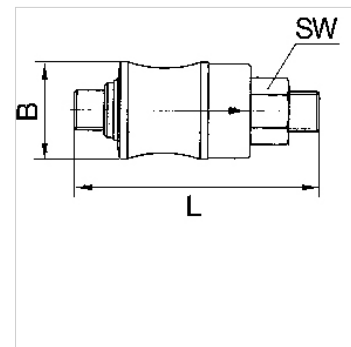
Manual slide valves

HANSA FLEX

Caratteristiche

Pressione d'esercizio max. 10 bar

Temperatura d'esercizio max. +70 °C



Nota

Altri dati su richiesta.

Descrizione

For use on devices that have to be vented whenever they are turned off, either because of safety regulations or for technical reasons. The pneumatic devices are disconnected from the system and simultaneously vented each time they are shut off.

Articolo

Denominazione	Filetto	B (mm)	L (mm)	SW (mm)
K- 07 30 15 92	G 1/8	21,0	67,0	14
K- 07 30 15 93	G 1/4	24,0	77,0	17
K- 07 30 15 94	G 3/8	31,0	87,0	22
K- 07 30 15 95	G 1/2	35,0	104,0	26