

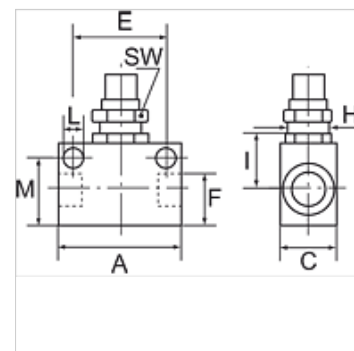
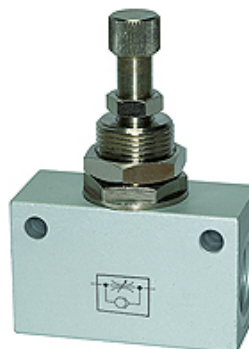
K-DRV

Unidirectional flow control valves

HANSA FLEX

Caratteristiche

Pressione d'esercizio	max. 10 bar
Temperatura d'esercizio	max. +70 °C
Materiale di tenuta	NBR
Alloggiamento	Alu eloxod
Parti interne	Brass



Nota

Altri dati su richiesta.

Descrizione

These valves are restricted in the flow direction and have free passage in the opposite direction.

Articolo

Denominazione	Filetto	A (mm)	C (mm)	E (mm)	H dimensione	I (mm)	L (mm)	M (mm)	SW (mm)
K- 07 30 12 36	M 5	25,0	12,0	18,0	M 9 x 0.75 mm	10,0	3,2	12,2	11
K- 07 30 12 37	G 1/8	34,0	16,0	24,0	M 12 x 0.75 mm	15,0	4,5	16,4	15
K- 07 30 12 38	G 1/4	50,0	25,0	35,0	M 18 x 1.5 mm	24,0	6,5	23,8	22
K- 07 30 12 39	G 3/8	58,0	25,0	40,0	M 18 x 1.5 mm	24,0	6,5	25,3	22
K- 07 30 12 40	G 1/2	65,0	30,0	50,0	M 22 x 1.5 mm	29,0	6,5	33,0	26