

K-DV 1

Bidirectional flow control valves

Caratteristiche

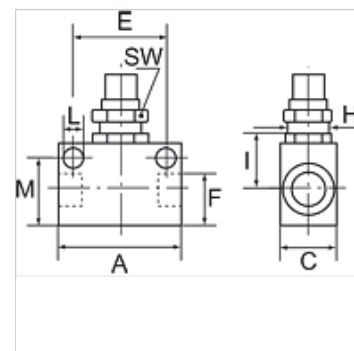
Pressione d'esercizio max. 10 bar

Temperatura d'esercizio max. +70 °C

Parti interne Brass

Materiale di tenuta NBR

Alloggiamento Alu eloxed



Nota

Altri dati su richiesta.

Descrizione

Straight-way valves with restricted flow in both directions.

Articolo

| Denominazione | Filetto | A (mm) | C (mm) | E (mm) | H dimensione | I (mm) | L (mm) | M (mm) | SW (mm) |
|----------------|---------|-----------|-----------|-----------|----------------|-----------|-----------|-----------|------------|
| K- 07 30 12 43 | G 1/8 | 34,0 | 16,0 | 24,0 | M 12 x 0.75 mm | 15,0 | 4,5 | 16,4 | 15 |
| K- 07 30 12 44 | G 1/4 | 50,0 | 25,0 | 35,0 | M 18 x 1.5 mm | 24,0 | 6,5 | 23,8 | 22 |
| K- 07 30 12 45 | G 3/8 | 58,0 | 25,0 | 40,0 | M 18 x 1.5 mm | 24,0 | 6,5 | 25,3 | 22 |
| K- 07 30 12 46 | G 1/2 | 65,0 | 30,0 | 50,0 | M 22 x 1.5 mm | 29,0 | 6,5 | 33,0 | 26 |