

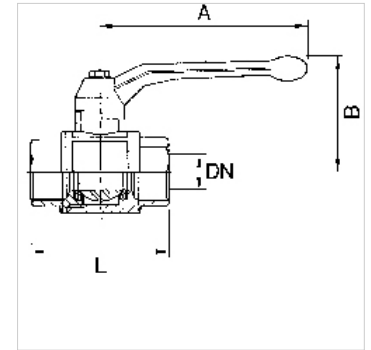
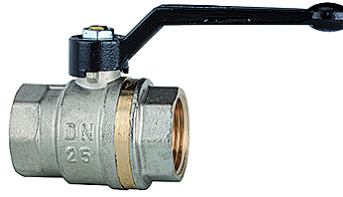
K-BKR LEICHT IG IG

Ball valves, lightweight type, female/female thread

HANSA FLEX

Caratteristiche

Campo di impiego	Compressed air, water, non-toxic and non-corrosive gases, heating systems, agriculture
Pressione d'esercizio	Max. 40 bar
Temperatura d'esercizio	-15 °C to +90 °C
Filettatura descrizione	G thread acc. DIN EN ISO 228-1
Alloggiamento	Nickel-plated brass
Leva	Alu, painted black
Sfera	Nickel-plated brass
Guarnizione sfera	PTFE
Guarnizione mandrino	HNBR / EPDM / PTFE. 2 O-Rings (HNBR / EPDM) 1 gasket (PTFE) additional PTFE-gasket



Nota

Altri dati su richiesta.

Articolo

Denominazione	DN	Filetto	A (mm)	B (mm)	L (mm)
K- 07 30 00 33	8	G 1/4	85,0	42,0	39,0
K- 07 30 00 34	10	G 3/8	85,0	42,0	43,0
K- 07 30 00 35	15	G 1/2	85,0	46,0	50,0
K- 07 30 00 36	20	G 3/4	105,0	53,0	58,0
K- 07 30 00 37	25	G 1	105,0	57,0	69,0
K- 07 30 00 38	32	G 1 1/4	130,0	70,0	81,0
K- 07 30 00 39	40	G 1 1/2	130,0	76,0	93,0
K- 07 30 00 40	50	G 2	165,0	92,0	110,0