

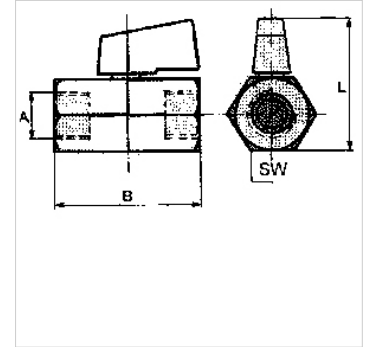
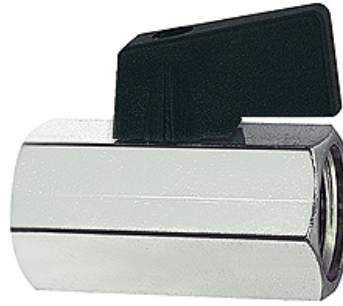
K-BKR MINI GLATTE OBERFLAECHE

Mini ball valves

HANSA FLEX

Caratteristiche

Campo di impiego	Compressed air, water, oils, non-toxic gases
Pressione d'esercizio	max. 10 bar
Temperatura del fluido	-10 °C to +80 °C
Alloggiamento e sfera	Nickel-plated brass
Leva manuale, manopola	Plastic
Guarnizione sfera	PTFE
Guarnizione mandrino	NBR



Nota

Altri dati su richiesta.

Articolo

Denominazione	Filetto	B (mm)	L (mm)	SW (mm)
K- 07 30 20 86	G 1/8 female	39,0	38,0	20
K- 07 30 20 87	G 1/4 female	39,0	38,0	20
K- 07 30 20 88	G 3/8 female	42,0	38,0	20
K- 07 30 20 89	G 1/2 female	47,0	38,0	24
K- 07 30 20 82	G 1/8 female/male	39,0	38,0	20
K- 07 30 20 83	G 1/4 female/male	39,0	38,0	20
K- 07 30 20 84	G 3/8 female / male	40,0	38,0	20
K- 07 30 20 85	G 1/2 female/male	45,0	38,0	24