

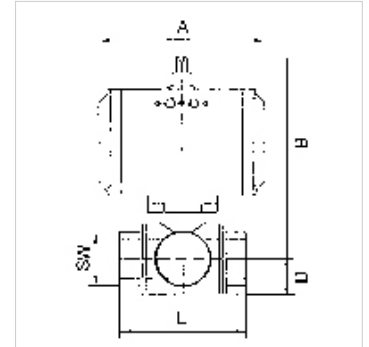
# K-3 BKR T DOPPELWIRKEND T1

Stainless steel ball valves, 3-way, with double-acting actuator, T-bore, normal position T1

**HANSA FLEX**

## Caratteristiche

<b>Tipo</b>	Pneumatic actuators, in double- or single acting version, with integrated end-position feedback
<b>Foro</b>	Forma a T
<b>Pressione d'esercizio</b>	max. 63 bar (depending on temperature and nominal size)
<b>Temperatura d'esercizio</b>	-20 °C to +70 °C
<b>Angolo di rotazione</b>	90 °
<b>Interfacce standardizzate</b>	Interface actuator / valve: four or eight threaded holes in the drive housing according to EN ISO 5211, Interface actuator / S
<b>Pressione di comando</b>	5.5 bar
<b>Adattatore valvola</b>	Acc. to NAMUR
<b>Azionamento</b>	aluminium eloxed
<b>Guarnizione azionamento</b>	NBR
<b>Rubinetto a sfera</b>	Stainless steel 1.4401, with ISO-flange plate
<b>Guarnizione rubinetto a sfera</b>	PTFE/FKM



## Nota

G thread acc. to DIN EN ISO 228-1, with ISO flange plate (acc. to ISO 5211)  
Altri dati su richiesta.

## Descrizione

3-way cock, reduced bore

## Informazioni supplementari

Other T-positions on request

## Articolo

Denominazione	DN	Filetto	Posizione	A (mm)	B (mm)	D (mm)	L (mm)	SW (mm)
K- 07 30 02 99	15	Rp 1/2	T 1	116,0	130,0	20,0	73,0	27
K- 07 30 03 01	20	Rp 3/4	T 1	116,0	136,0	23,0	80,0	32
K- 07 30 03 03	25	Rp 1	T 1	133,0	148,5	28,5	90,0	41
K- 07 30 03 05	32	Rp 1 1/4	T 1	133,0	153,5	36,5	90,0	50
K- 07 30 03 07	40	Rp 1 1/2	T 1	137,0	173,0	37,0	105,0	55
K- 07 30 03 09	50	Rp 2	T 1	161,0	196,5	47,5	115,0	71