

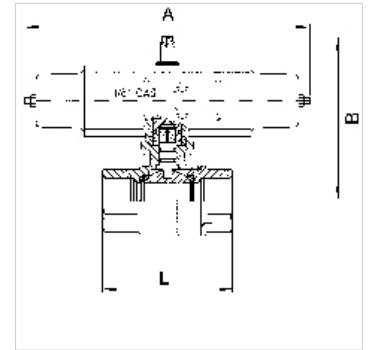
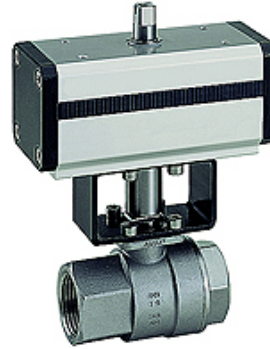
# K-BKR DOP VA

Stainless steel ball valves, double-acting actuator

**HANSA FLEX**

## Caratteristiche

<b>Tipo</b>	Pneumatic, double-piston, part-turn actuator, double-rocker principle
<b>Pressione d'esercizio</b>	max. 160 bar (G 3/8, G 1/2); max. 100 bar (G 3/4, G 1); max. 60 bar (G 1 1/4, G 1 1/2); max. 40 bar (G 2)
<b>Temperatura d'esercizio</b>	-20 °C to +150 °C
<b>Angolo di rotazione</b>	90 °
<b>Pressione di comando</b>	5.6 bar
<b>Adattatore valvola</b>	Supplied as standard
<b>Campo della temperatura:</b>	-20 °C to +80 °C
<b>Azionamento</b>	aluminium eloxed
<b>Guarnizione azionamento</b>	NBR
<b>Rubinetto a sfera</b>	Stainless steel 1.4401/1.4301/1.4310/1.4408, with ISO-flange plate
<b>Guarnizione rubinetto a sfera</b>	PTFE/FKM



## Nota

Altri dati su richiesta.

## Articolo

Denominazione	DN	Filetto	A (mm)	B (mm)	L (mm)
K- 07 30 02 52	10	Rp 3/8	114,0	134,0	51,0
K- 07 30 02 53	15	Rp 1/2	114,0	139,0	61,0
K- 07 30 02 54	20	Rp 3/4	130,0	153,0	70,0
K- 07 30 02 55	25	Rp 1	130,0	157,0	85,0
K- 07 30 02 56	32	Rp 1 1/4	144,0	171,0	95,0
K- 07 30 02 57	40	Rp 1 1/2	152,0	181,0	105,0
K- 07 30 02 58	50	Rp 2	169,0	196,0	125,0