

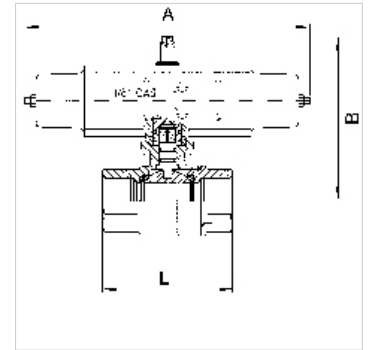
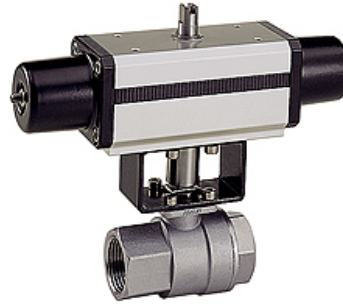
# K-BKR EI FED VA

Stainless steel ball valves, single-acting actuator, spring to close

**HANSA FLEX**

## Caratteristiche

|                                      |   |
|--------------------------------------|---|
| <b>Tipo</b>                          | Pneumatic, double-piston, part-turn actuator, double-rocker principle                                     |
| <b>Pressione d'esercizio</b>         | max. 160 bar (G 3/8, G 1/2); max. 100 bar (G 3/4, G 1); max. 60 bar (G 1 1/4, G 1 1/2); max. 40 bar (G 2) |
| <b>Temperatura d'esercizio</b>       | -20 °C to +150 °C   |
| <b>Angolo di rotazione</b>           | 90 °  |
| <b>Pressione di comando</b>          | 5.6 bar   |
| <b>Adattatore valvola</b>            | Supplied as standard  |
| <b>Campo della temperatura:</b>      | -20 °C to +80 °C  |
| <b>Azionamento</b>                   | aluminium eloxed  |
| <b>Guarnizione azionamento</b>       | NBR   |
| <b>Rubinetto a sfera</b>             | Stainless steel 1.4401/1.4301/1.4310/1.4408, with ISO-flange plate  |
| <b>Guarnizione rubinetto a sfera</b> | PTFE/FKM  |



## Nota

Altri dati su richiesta.

## Articolo

| Denominazione  | DN | Filetto  | A<br>(mm) | B<br>(mm) | L<br>(mm) |
|----------------|----|----------|-----------|-----------|-----------|
| K- 07 30 02 68 | 10 | Rp 3/8   | 221,0     | 142,0     | 51,0      |
| K- 07 30 02 69 | 15 | Rp 1/2   | 221,0     | 147,0     | 61,0      |
| K- 07 30 02 70 | 20 | Rp 3/4   | 240,0     | 163,0     | 70,0      |
| K- 07 30 02 71 | 25 | Rp 1     | 240,0     | 167,0     | 85,0      |
| K- 07 30 02 72 | 32 | Rp 1 1/4 | 294,0     | 183,0     | 95,0      |
| K- 07 30 02 73 | 40 | Rp 1 1/2 | 320,0     | 207,0     | 105,0     |
| K- 07 30 02 74 | 50 | Rp 2     | 357,0     | 234,0     | 125,0     |