

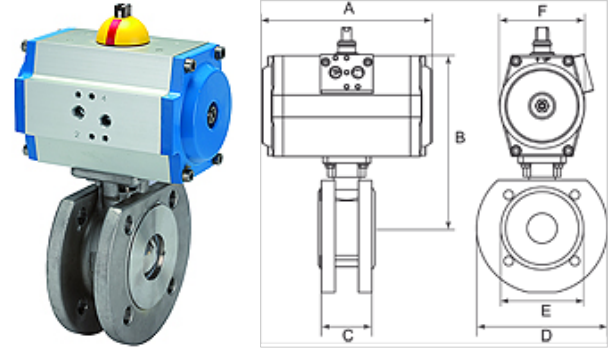
K-BKR KOM

Ball valves (wafer type), with double-acting actuator

HANSA FLEX

Caratteristiche

Tipo	Pneumatic actuators, in double- or single acting version, with integrated end-position feedback
Pressione d'esercizio	DN 15 - DN 50: max. 40 bar; DN 65 - DN 100: max. 16 bar
Temperatura d'esercizio	-20 °C to +70 °C
Angolo di rotazione	90 °
Pressione di comando	5.5 bar
Adattatore valvola	Acc. to NAMUR
Azionamento	aluminium eloxed
Guarnizione azionamento	NBR
Rubinetto a sfera	Stainless steel 1.4408, with ISO-flange plate
Guarnizione rubinetto a sfera	PTFE



Nota

Altri dati su richiesta.

Descrizione

2-way ball valves compact flange type, full bore

Articolo

Denominazione	DN	A (mm)	B (mm)	C (mm)	D (mm)	E (mm)	F (mm)
K- 07 30 02 76	15	116,0	125,0	40,0	95,0	45,0	61,5
K- 07 30 02 77	20	116,0	129,3	44,0	105,0	58,0	61,5
K- 07 30 02 78	25	133,0	138,6	53,0	115,0	68,0	68,5
K- 07 30 02 79	32	137,0	158,2	58,4	135,0	78,0	80,0
K- 07 30 02 80	40	161,0	176,3	62,0	145,0	88,0	92,5
K- 07 30 02 81	50	161,0	185,5	78,0	155,0	102,0	92,5
K- 07 30 02 82	65	180,0	205,0	100,0	185,0	122,0	92,5
K- 07 30 02 83	80	209,0	240,0	120,0	200,0	138,0	110,5
K- 07 30 02 75	100	221,0	272,0	152,0	220,0	158,0	120,0